

ASSEMBLY INSTRUCTIONS

OVAL POOLS NBS

MODEL V

OVAL POOL
INSVN _V1_2024-12-05



DO NOT DIVE OR JUMP, SHALLOW WATER!

WARNING : THIS POOL IS NOT DESIGNED FOR DIVING AND/OR JUMPING.



WARNING : The pool owner is responsible to ensure everyone who accesses the yard, follows all safety instructions.



WARNING : Be sure you have read and understand the 'Safety Information' sheets before you begin your pool installation.

- Never dive, jump or slide into an above ground swimming pool. Diving, jumping or sliding may result in permanent injury or death.
- The homeowner is responsible to install all safety labels. The safety labels shall be placed above the water line, never covered and always visible from any potential entry points of the pool. Also, make sure to install safety labels at all access points of your yard.
- Adult supervision is always necessary. Never take your eyes off children or swimmers in the water or near the pool.
- Designate an adult pool watcher. Make sure that you or your pool watcher are able to intervene in less than 10 seconds to save a life or avoid injury.
- Do not swim during thunder, electrical or wind storms.
- Keep rescue equipment such as life rings and reaching poles etc, in a prominent area by the pool at all times. Please consult your municipality to get a rescue equipment list.
- An emergency phone number such as: nearest available police, fire, ambulance and/or rescue unit, must be visible from pool area. A functioning fixed or cellular phone must be reachable immediately.
- It is important that all users be able to see the bottom of the pool. Foggy water must be cleared up before entering the pool. At night, sufficient lighting must be available. It's the homeowner's sole responsibility to provide adequate lighting for pool bottom, safety labels and walkways, which exceeds minimum standards of the IES of North America.
- Never swim alone, under the influence of drugs or alcohol, tired or ill.
- All accessories and liners : the homeowner must follow the manufacturer's instructions and safety warnings.
- Do not affix any other products to your pool other than required by your local code.
- Do not sit, climb or stand on the top ledges of the pool.



WARNING : this product contains chemicals which are known to the state of California to cause cancer and/or reproductive harm. p65warnings.ca.gov

SAFETY LABELS

If you require additional labels, you can order more free of charge by calling 1-888-777-0447



SAFETY INFORMATION



WARNING : All pool components, such as the filtration system, pump and heater should not be positioned in such a way that someone could use them to gain access to the pool. Be sure that filter, pump, all toys, chairs, tables, buildings or similar objects are at least at a minimum of 4' (1,22 m) away from the pool. Positioning such objects too close to the pool may allow access to the water while unattended and may cause serious injury or death.

Congratulations! You have purchased a pool of superior quality and durability. To achieve the best possible results, follow the instructions carefully. Failure to follow the installation procedures may result in damage to your pool or property and void your warranty. We recommend that you make a preliminary study of the instruction booklet to familiarize yourself with the different parts of your pool. Make sure that you understand each step thoroughly before you begin assembling. We recommend having your pool installed by a professional. We wish you a most pleasant and refreshing summer.

The homeowner must supervise the installation of the pool in order to make sure that proper installation methods are followed.

The pool is subject to wear and deterioration if not maintained properly and could lead to failure of the pool's structure. Failure of the pool structure might release large quantities of water that will cause property damage, bodily harm or even death.

Before installing your pool, you should check local regulations such as building codes, zoning requirements and electrical codes.

Refrain from finishing up your pool with stones, rocks, gravel, etc., to avoid chipping of the paint and damaging the pool wall. Most decorative rocks are very acidic and they can damage and/or corrode your pool wall beyond repair.

We are not responsible for the installation of the pool. We are not affiliated with any pool installer and assume no responsibility or liability linked to a faulty installation of the pool.

Warning : Do not modify any components of the pool without the written authorization of the manufacturer. Doing so will void the warranty.

If you need any parts, you can order these by calling 1-888-777-0447 or at www.aquasupport.ca/en/support



FILTRATION SYSTEM ASSEMBLY

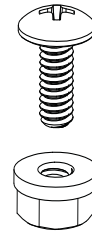
Assemble skimmer, inlet, drain (optional), filter, pump, hoses according to manufacturer's instructions and applicable regulations.

PARTS LIST

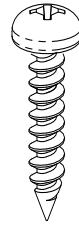
* SEE DRAWING PARTS NEXT PAGE

ITEM	DESCRIPTION
AA	POOL WALL
BB	BOLT & NUT FOR WALL & TENSION STRAPS 1/4" X 5/8" (6,35 mm X 15,88 mm)
DD	COPING STRIPS (OPTIONAL)
A	LEDGE - ROUND SECTION
B	LEDGE - STRAIGHT SECTION
C	BOTTOM CONNECTOR
D	UPRIGHT
E	TOP CONNECTOR
F	TOP CAP
G	BOTTOM TRACK - ROUND SECTION
H	TOP CONNECTOR - STRAIGHT SECTION
J	BOTTOM TRACK - STRAIGHT SECTION
K	TOP TRACK - ROUND SECTION
L	TOP TRACK - STRAIGHT SECTION
M	CAP EXTENSION - ROUND SECTION
BUTTRESS ASSEMBLY	
O	BUTTRESS POST
P	CAP EXTENSION - STRAIGHT SECTION
S	FOOT BEAM
T	SPLICE BRACKET
N	PRESSURE PLATE
UB	SPACER
U	BOLT 1/2" X 3" (12,7 mm X 76,2 mm)
UU	NUT 1/2" (12,7 mm)
V	WASHER 1/2" (12,7 mm)
BC	STYROFOAM BLOCK
Y	TENSION STRAP
Z	SCREW 1" SILVER
BG	STAINLESS STEEL PANEL
BH	BOLT CAP COVER EXTRUSION

BB



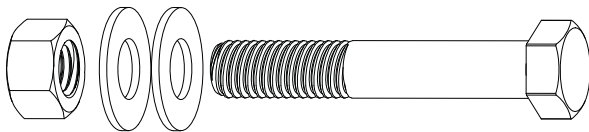
Z



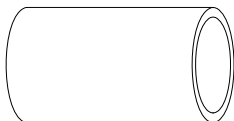
UU

V

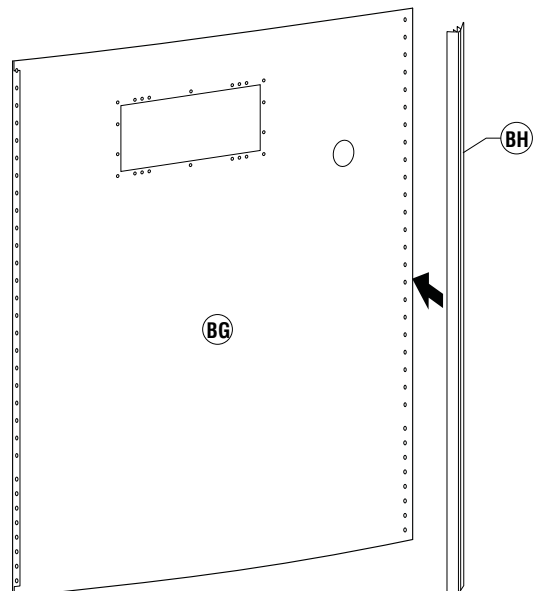
U



UB

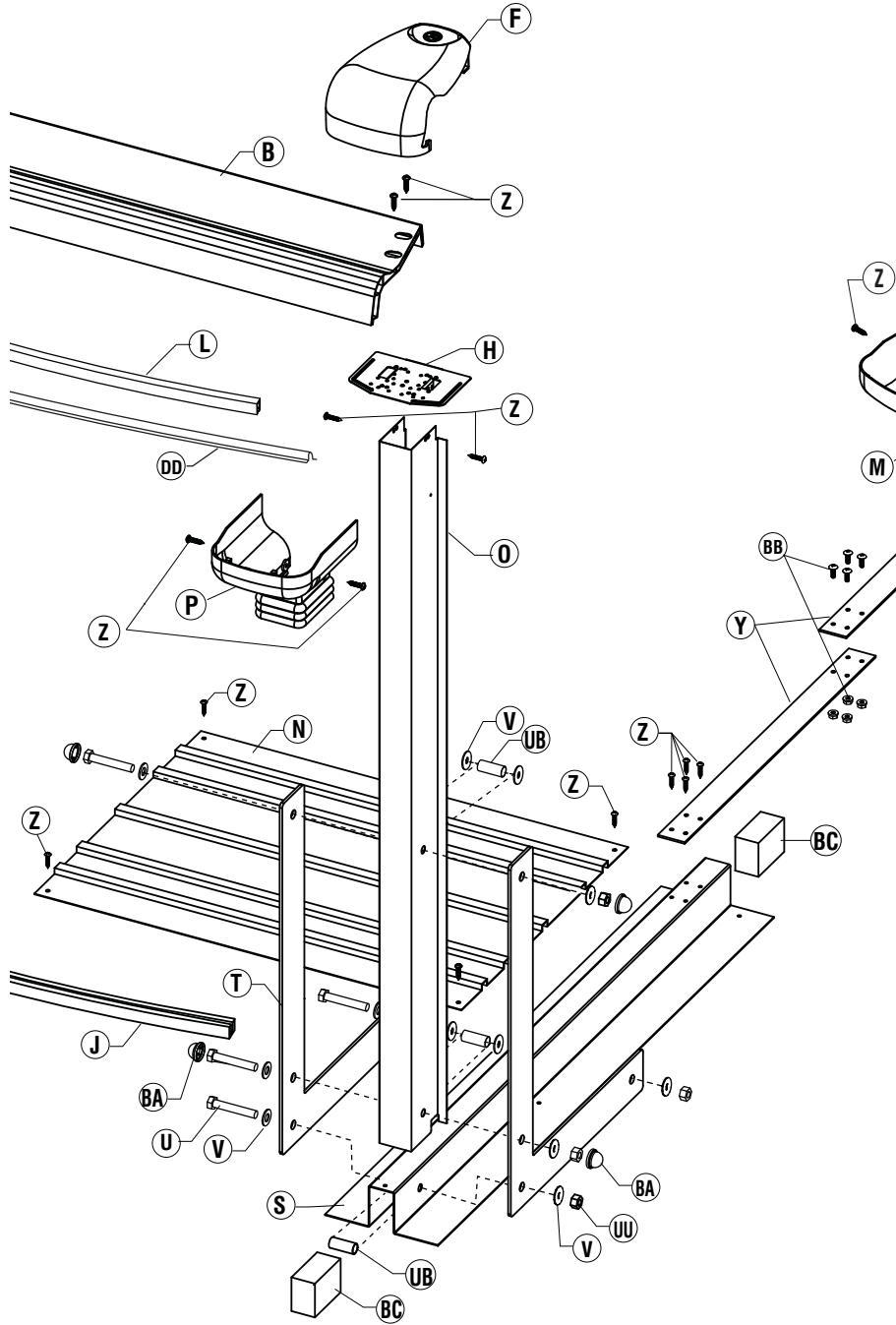


STAINLESS STEEL PANEL IF APPLICABLE

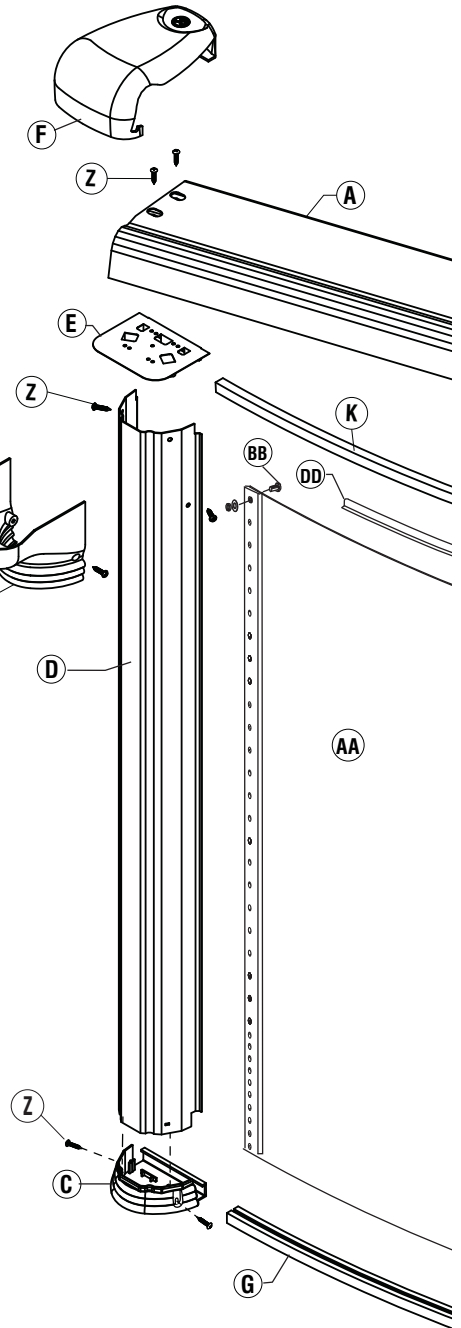


PARTS LIST (continued)

Straight section



Round section



1

SITE PREPARATION

When selecting a site for your pool, take into account your local regulations regarding fences and utility laws pertaining to electrical cables, as well as the landscaping which you are planning once the pool is installed.

Mark the approximate location of the 4 corners of the pool to confirm pool orientation and available space in your yard. (Refer to Chart 1.1)

Drive a stake into the ground for points A and B using the distance of the straight section according to your pool size referenced in Chart 1.1. It is important that your A and B measurements are exact

to ensure proper installation and avoid problems further on.

Draw two half circles from the A and B stakes using the radius (R) according to Chart 1.1

Join the two half circles with two straight lines parallel to line (AB) at the exact distance (R) from line (AB), refer to chart 1.1

Measure and verify that your total length (E) matches Chart 1.1.

Remove all sod from the area plus an additional 6" (15 cm) around the pool outline. (See illustration 1.1)

Illustration 1.1

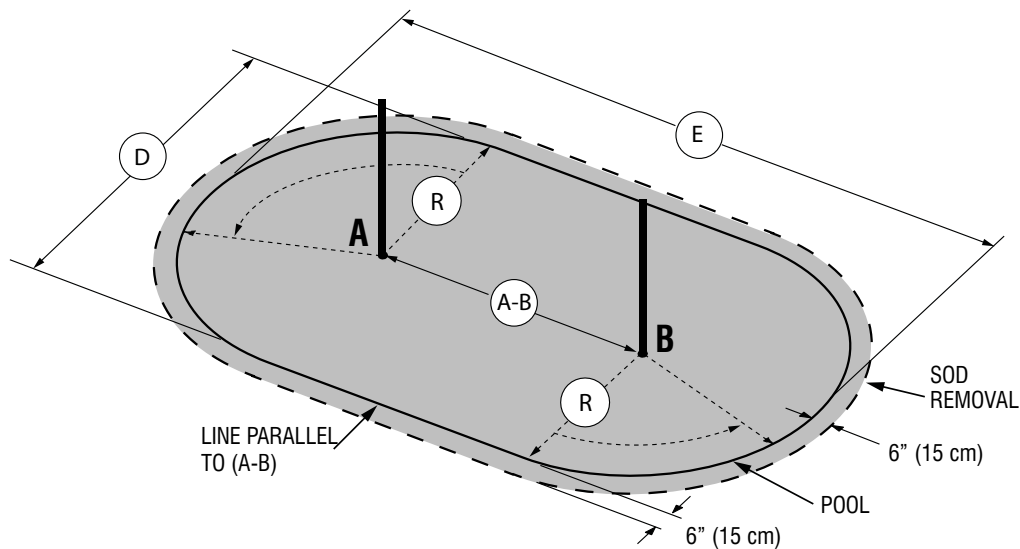


Chart 1.1

SIZE	DISTANCE (A-B)	POOL RADIUS (R)	POOL WIDTH (D)	POOL LENGTH (E)
8'x14'	5'-6" (1.68 m)	4' 1/2" (1.40 m)	8' 1" (2.46 m)	13' 7" (4.14 m)
8'x16'	8'-3" (2.51 m)	4' 1/2" (1.40 m)	8' 1" (2.46 m)	16' 4" (4.98 m)
8'x19'	11'-0" (3.35 m)	4' 1/2" (1.40 m)	8' 1" (2.46 m)	19' 1" (5.82 m)
10'x16'	5'-6" (1.68 m)	5' (1.52 m)	10' (3.05 m)	15' 6" (4.72 m)
10'x18'	8'-3" (2.51 m)	5' (1.52 m)	10' (3.05 m)	18' 3" (5.56 m)
10'x21'	11'-0" (3.35 m)	5' (1.52 m)	10' (3.05 m)	21' (6.40 m)
12'x18'	6'-6 1/2" (1.98 m)	5' 11-3/4" (1.82 m)	11' 11-1/2" (3.65 m)	18' 6" (5.64 m)
12'x21'	9'-3" (2.82 m)	5' 11-3/4" (1.82 m)	11' 11-1/2" (3.65 m)	21' 2-1/2" (6.46 m)
12'x24'	12'-0" (3.65 m)	5' 11-3/4" (1.82 m)	11' 11-1/2" (3.65 m)	23' 11-1/2" (7.30 m)
12'x27'	14'-8" (4.47 m)	5' 11-3/4" (1.82 m)	11' 11-1/2" (3.65 m)	26' 8-1/4" (8.14 m)
14'x20'	5'-6" (1.68 m)	7' 1/2" (2.31 m)	14' 1" (4.29 m)	19' 7" (5.97 m)
14'x25'	11'-0" (3.35 m)	7' 1/2" (2.31 m)	14' 1" (4.29 m)	25' 1" (7.65 m)
16'x26'	10'-7 1/2" (3.23 m)	7' 11-1/2" (2.59 m)	15' 11" (4.85 m)	26' 6" (8.08 m)
16'x32'	16'-1" (4.90 m)	7' 11-1/2" (2.59 m)	15' 11" (4.85 m)	32' (9.75 m)
18'x33'	15'-0" (4.57 m)	8'-11" (2.72 m)	17' 10" (5.44 m)	32' 10" (10.00 m)
18'x38'	20'-6" (6.25 m)	8'-11" (2.72 m)	17' 10" (5.44 m)	38' 4" (11.68 m)
18'x44'	26'-0" (7.92 m)	8'-11" (2.72 m)	17' 10" (5.44 m)	43' 10" (13.36 m)

2

LEVELLING AND TRENCH PREPARATION

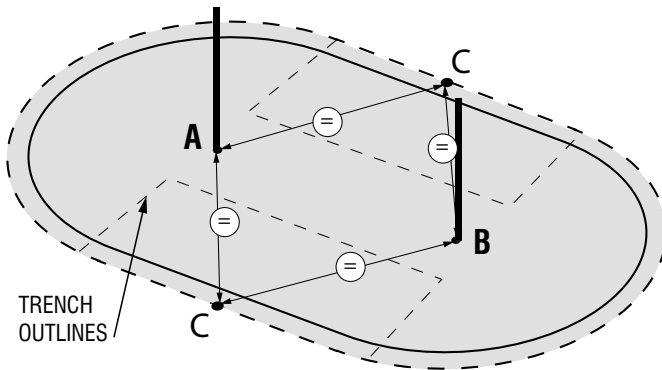
DO NOT ALLOW WATER TO ACCUMULATE AROUND POOL. Make sure to provide good drainage away from the pool.

SITE LEVELLING

The entire area must be perfectly levelled, using a proper levelling tool. Eliminate any protrusions. Ensure that the surface is free of debris such as rocks, wood, nutgrass, weeds and other debris.

Start by finding the center points (C) of both side sections using points A&B. The center point of each side section should be at equal distance from points A&B. Once both center points(C) are located, start locating trenches from these points. (Refer to illustration 2.1)

Illustration 2.1

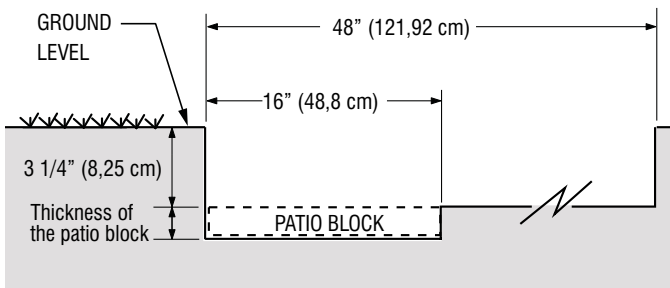


TRENCHES FOR BUTTRESS ASSEMBLIES

Before digging you must refer to the proper chart and illustration (See next pages)

Dig trenches to a depth equal to the thickness of the patio blocks (a minimum thickness of a 1 3/4 is recommended) and the buttress assembly beam 3 1/4" (8 cm). (Refer to illustrations 2.2)

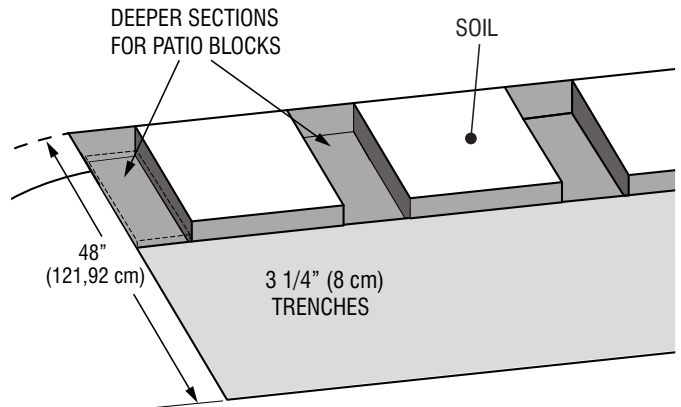
Illustration 2.2



Make sure trenches are smooth and levelled without compacting them.

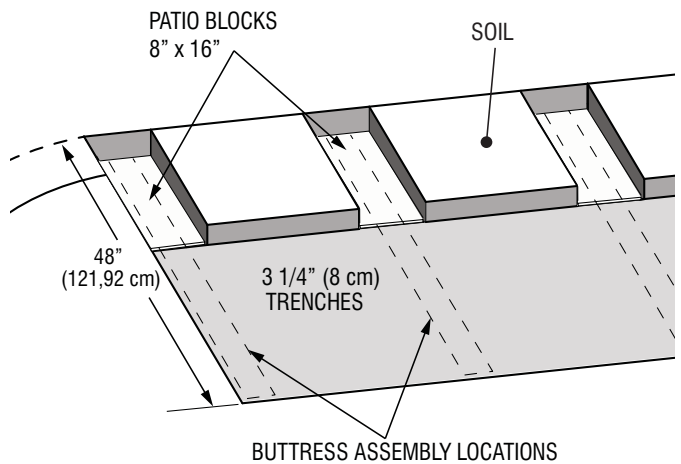
Refer to illustration 2.3 for trench layout detail, all grey shaded areas.

Illustration 2.3

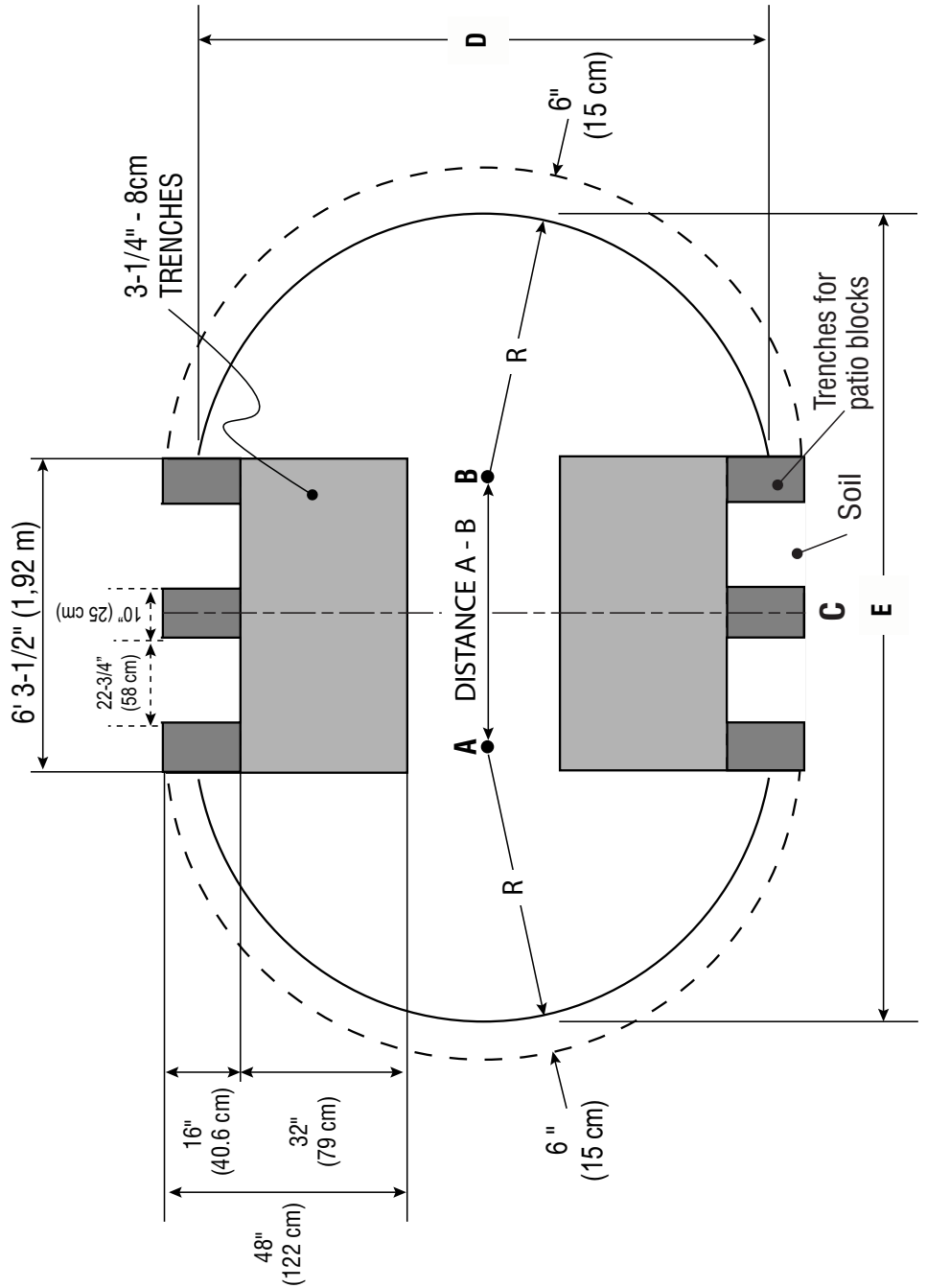


Place and level patio blocks into trenches. Make sure that the top of patio block is 3 1/4" (8 cm) deep in order to accommodate for the buttress assembly thickness. (Refer to illustration 2.4) Top of buttress assembly must be level with the soil.

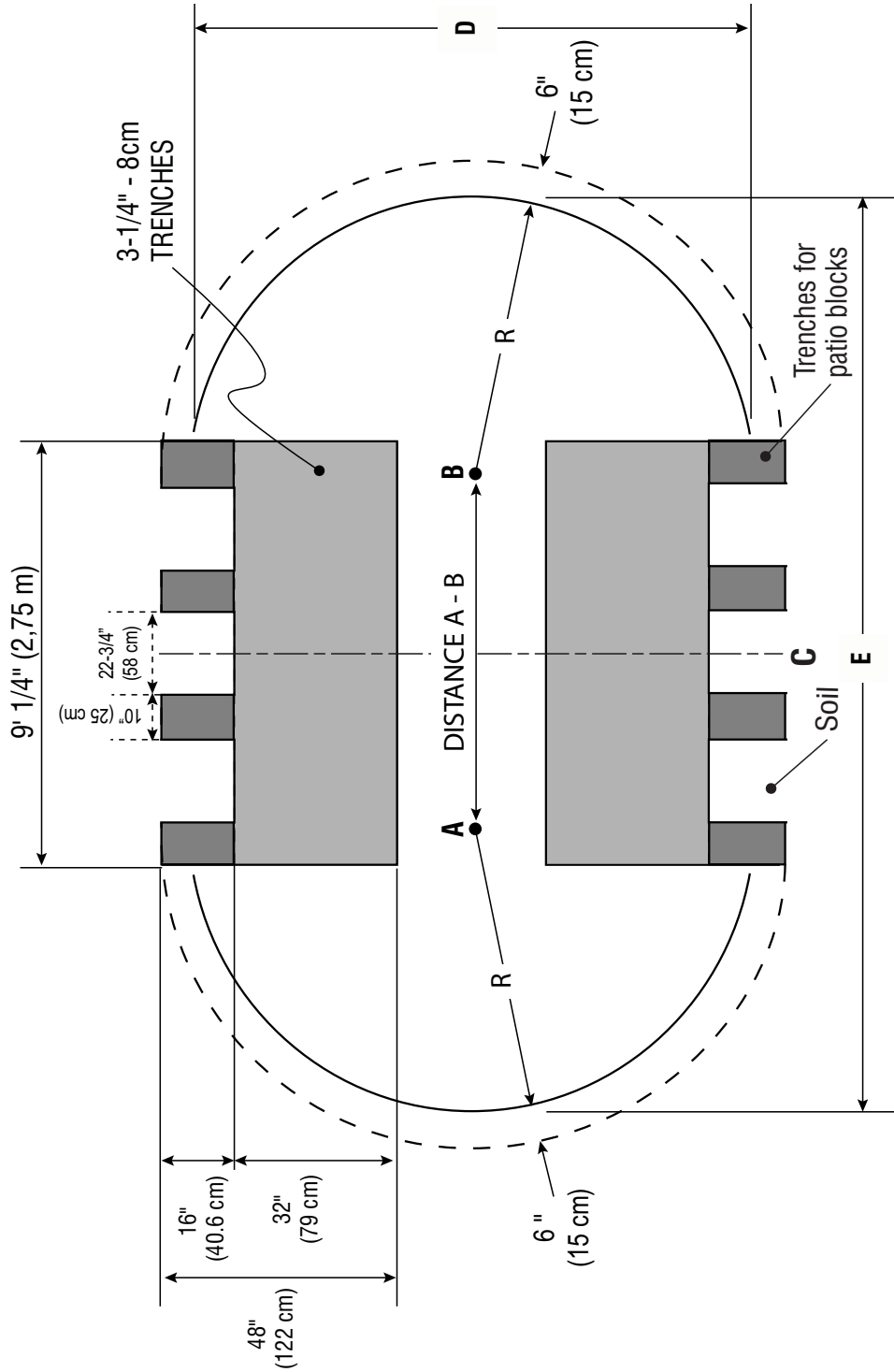
Illustration 2.4



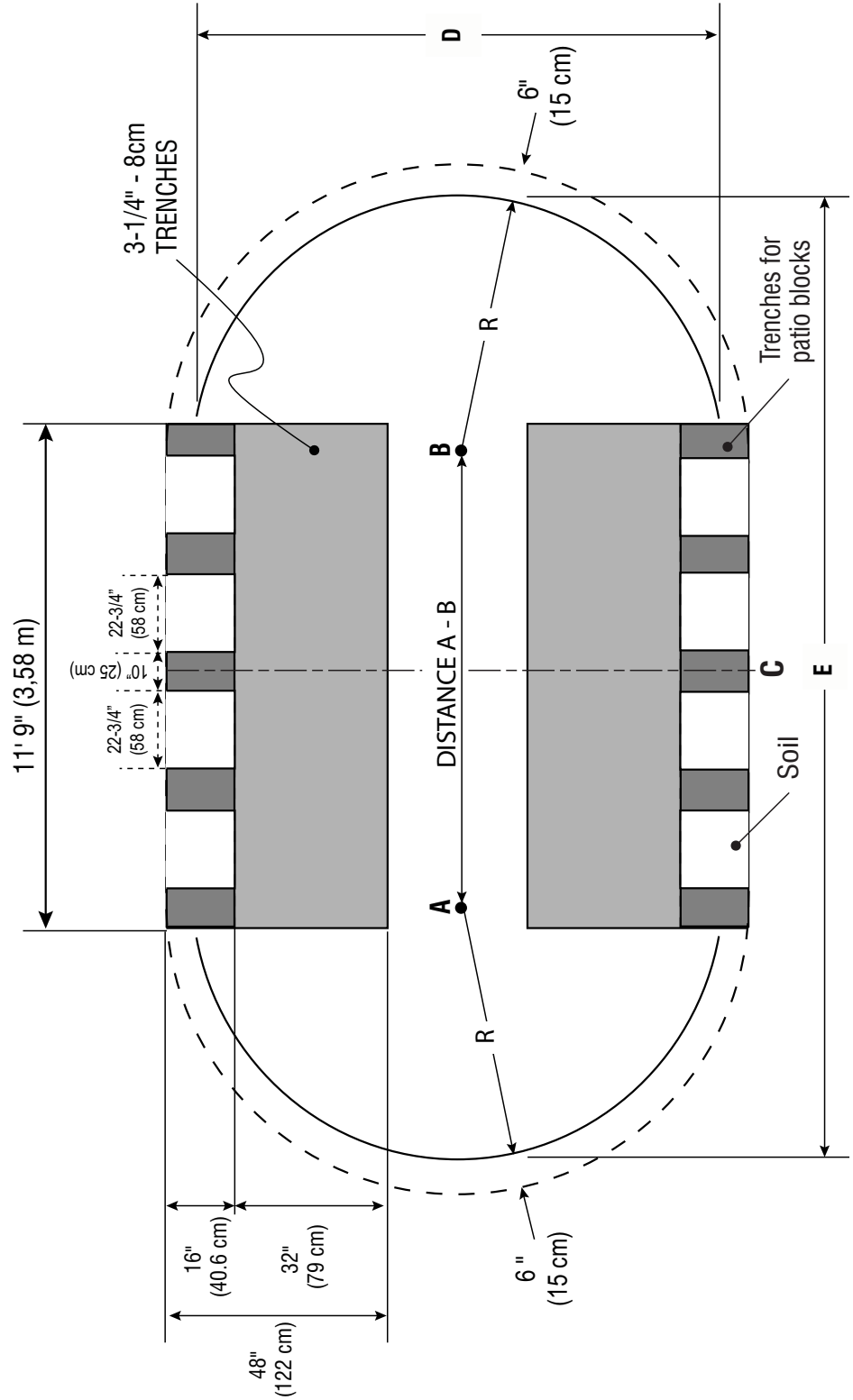
SIZE	DISTANCE (A-B)	POOL RADIUS (R)	POOL WIDTH (D)	POOL LENGTH (E)	PATIO BLOCK	COMPACTION SAND	STONE DUST
8'x14'	5'-6" (1.68 m)	4' 1/2" (1.40 m)	8' 1" (2.46 m)	13' 7" (4.14 m)	14	1 ton	1/3 ton
10'x16'	5'-6" (1.68 m)	5' (1.52 m)	10' (3.05 m)	15' 6" (4.72 m)	16	1 ton	1/3 ton
12'x18'	6'-6 1/2" (1.98 m)	5' 11-3/4" (1.82 m)	11' 11-1/2" (3.65 m)	18' 6" (5.64 m)	14	1 1/2 ton	3/4 ton
14'x20'	5'-6" (1.68 m)	7' 1/2" (2.31 m)	14' 1" (4.29 m)	19' 7" (5.97 m)	16	1 1/2 ton	3/4 ton



SIZE	DISTANCE (A-B)	POOL RADIUS (R)	POOL WIDTH (D)	POOL LENGTH (E)	PATIO BLOCK	COMPACTION SAND	STONE DUST
8'x16'	8'-3" (2.51 m)	4' 1/2" (1.40 m)	8' 1" (2.46 m)	16' 4" (4.98 m)	16	1 ton	1/3 ton
10'x18'	8'-3" (2.51 m)	5' (1.52 m)	10' (3.05 m)	18' 3" (5.56 m)	18	1 ton	1/3 ton
12'x21'	9'-3" (2.82 m)	5' 11-3/4" (1.82 m)	11' 11-1/2" (3.65 m)	21' 2-1/2" (6.46 m)	16	1 1/2 ton	3/4 ton



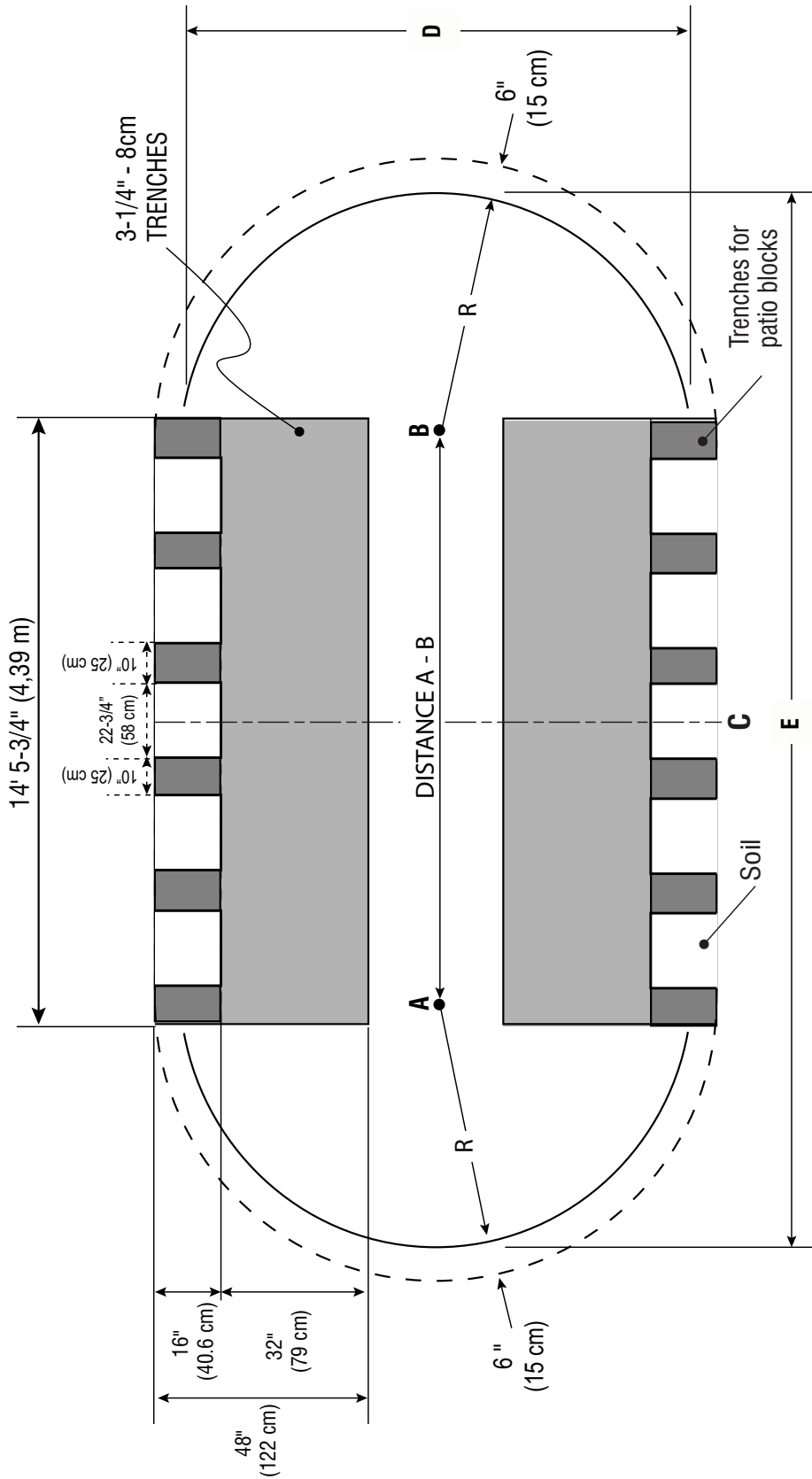
SIZE	DISTANCE (A-B)	POOL RADIUS (R)	POOL WIDTH (D)	POOL LENGTH (E)	PATIO BLOCK	COMPACTION SAND	STONE DUST
8'x19'	11'-0" (3.35 m)	4' 1/2" (1.40 m)	8' 1" (2.46 m)	19' 1" (5.82 m)	18	1 ton	1/3 ton
10'x21'	11'-0" (3.35 m)	5' (1.52 m)	10' (3.05 m)	21' (6.40 m)	20	1 ton	1/3 ton
12'x24'	12'-0" (3.65 m)	5' 11-3/4" (1.82 m)	11' 11-1/2"x 23' (3.65 m)	23' 11-1/2" (7.30 m)	18	1 1/2 tons	3/4 ton
14'x25'	11'-0" (3.35 m)	7' 1/2" (2.31 m)	14' 1" (4.29 m)	25' 1" (7.65 m)	20	1 1/2 tons	3/4 ton
16'x26'	10'-7 1/2" (3.23 m)	7' 11-1/2" (2.59 m)	15' 11" (4.85 m)	26' 6" (8.08 m)	20	2 tons	1 1/2 tons



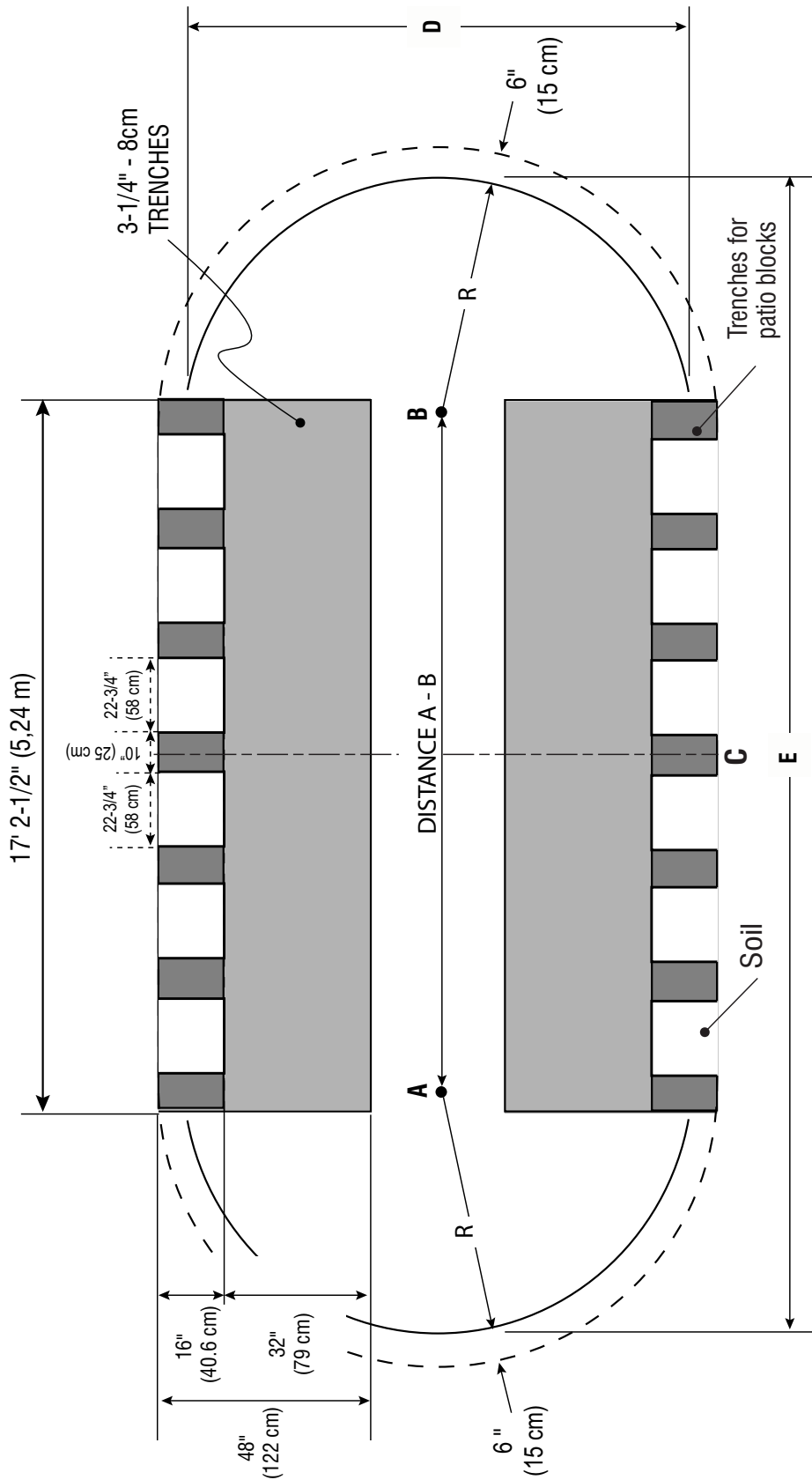
2

LEVELLING AND TRENCH PREPARATION

SIZE	DISTANCE (A-B)	POOL RADIUS (R)	POOL WIDTH (D)	POOL LENGTH (E)	PATIO BLOCK	COMPACTION SAND	STONE DUST
12'x27'	14'-8" (4.47 m)	5' 11-3/4" (1.82 m)	11' 11-1/2" (3.65 m)	26' 8-1/4" (8.14 m)	20	1 1/2 ton	3/4 ton



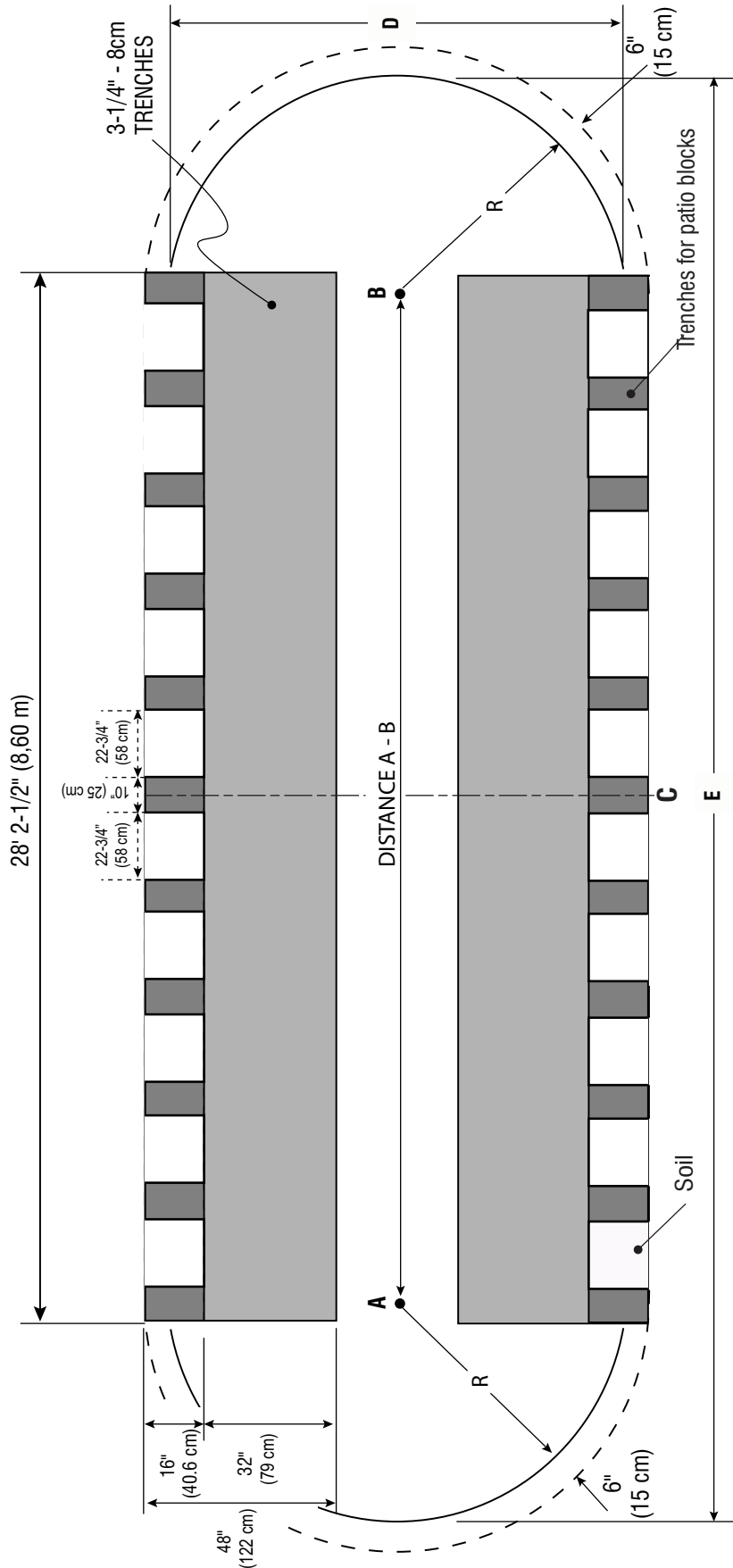
SIZE	DISTANCE (A-B)	POOL RADIUS (R)	POOL WIDTH (D)	POOL LENGTH (E)	PATIO BLOCK	COMPACTION SAND	STONE DUST
16'x32'	16'-1" (4.90 m)	7' 11-1/2" (2.59 m)	15' 11" (4.85 m)	32' (9.75 m)	24	2 tons	1 1/2 ton
18'x33'	15'-0" (4.57 m)	8'-11" (2.72 m)	17' 10" (5.44 m)	32' 10" (10.00 m)	26	2 tons	1 1/2 ton



2

LEVELLING AND TRENCH PREPARATION

SIZE	DISTANCE (A-B)	POOL RADIUS (R)	POOL WIDTH (D)	POOL LENGTH (E)	PATIO BLOCK	COMPACTION SAND	STONE DUST
18"x44"	26'-0" (7.92 m)	8'-11" (2.72 m)	17'-10" (5.44 m)	43'-10" (13.36 m)	34	3 tons	2 1/2 ton

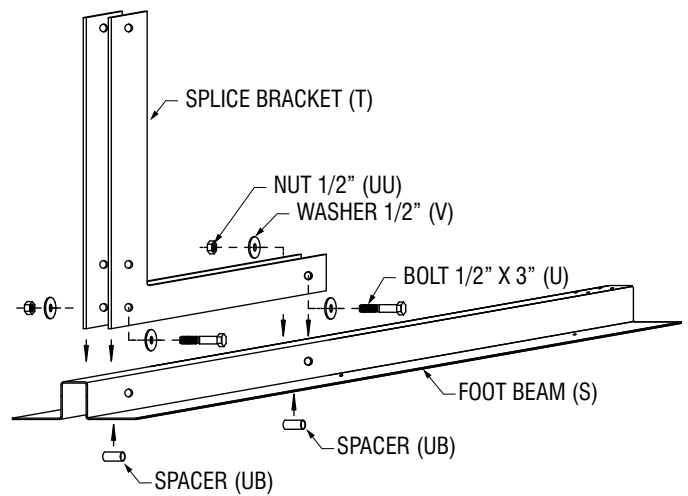


3

STRAIGHT SECTION FOOT BEAM ASSEMBLY

Refer to Illustration 3.1. Join splice brackets (T) to the foot beam (S) using bolts 1/2" X 3" (12.7 mm x 76.2 mm) (U), spacers (UB), nuts (UU) and washers (V). Remember to insert both spacers (UB) in the foot beam aligned with the holes, so the bolts go through the spacers when they are inserted.

Illustration 3.1



4

STRAIGHT SECTION BUTTRESS POST ASSEMBLY

Refer to illustration 4.1. Assemble the buttress post using bolts 1/2" X 3" (12,7 mm X 76,2 mm) (U), nuts (UU), washers (V) and spacers (UB). Remember to insert both spacers (UB) between the splice bracket in the buttress aligned with the holes so the bolts go through the spacers when they are inserted.

Refer to Illustration 4.2. Cover the bolt heads with bolt cap covers (BA) and insert the styrofoam blocks (BC) at both ends of foot beam.

Illustration 4.1

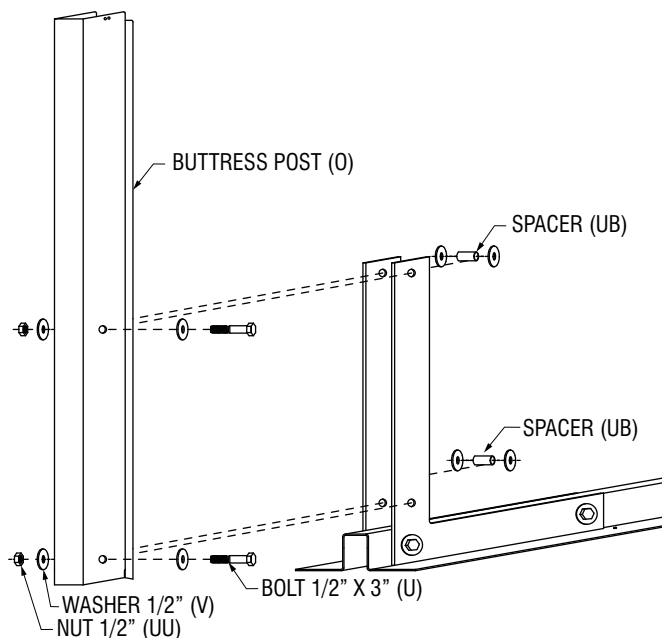
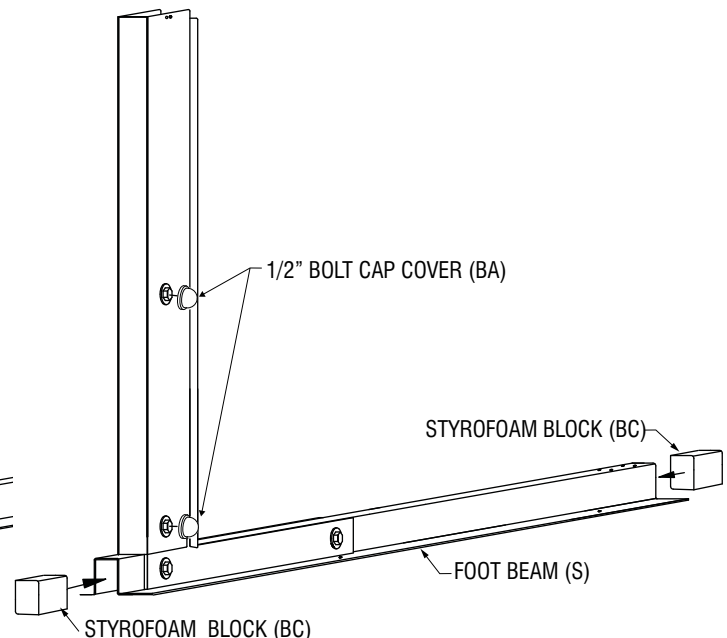


Illustration 4.2



5

BOTTOM TRACK (straight section) AND PRESSURE PLATE

Position the buttress post assemblies in the center of the patio block in the previously dug trenches.

Refer to Illustration 5.2 : Attach pressure plates in between the foot beams with 4 screws "Z".

Refer to Illustration 5.1 : Once the buttress post assemblies are placed in the trenches, install the straight section bottom tracks.

Illustration 5.1

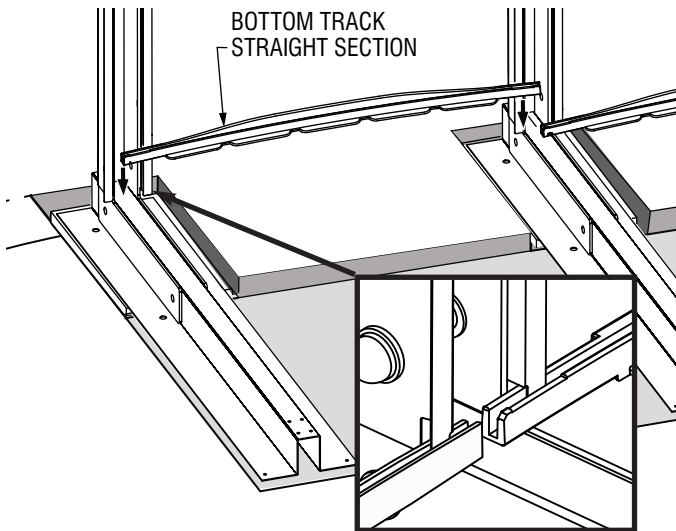
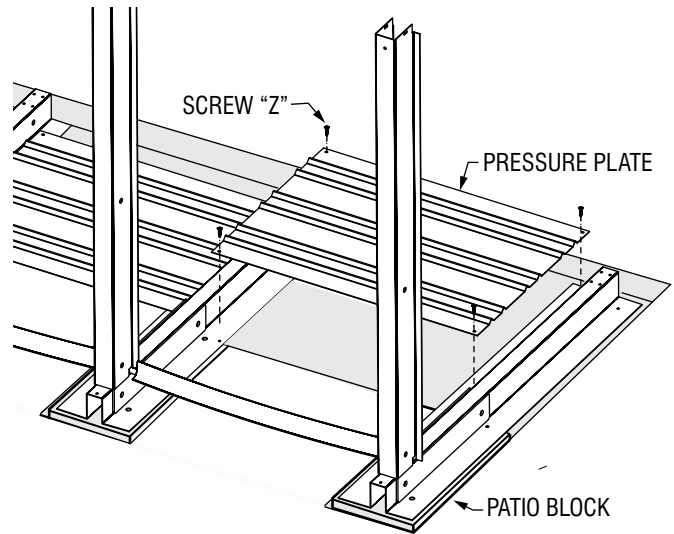


Illustration 5.2



6

TENSION STRAP INSTALLATION



WARNING :
Never use an impact gun for wall and tension straps screws.
Minimum torque force of 60 inch pounds to maximum of 85 inch pounds.

Refer to illustration 6.1 and chart 1.3 carefully. You are now ready to assemble the tension strap rows according to your respective pool size.

Refer to Illustration 6.1 : If there is more than one steel tension strap per row, assemble each joint of the straps together using 4 bolts and nuts (BB) 1/4" X 5/8" (6,35 mm X 15,88 mm), making sure the bolt heads are on top.

Attach the assembled tension straps to the foot beams on both sides of the pool using 4 screws "Z".

Illustration 6.1

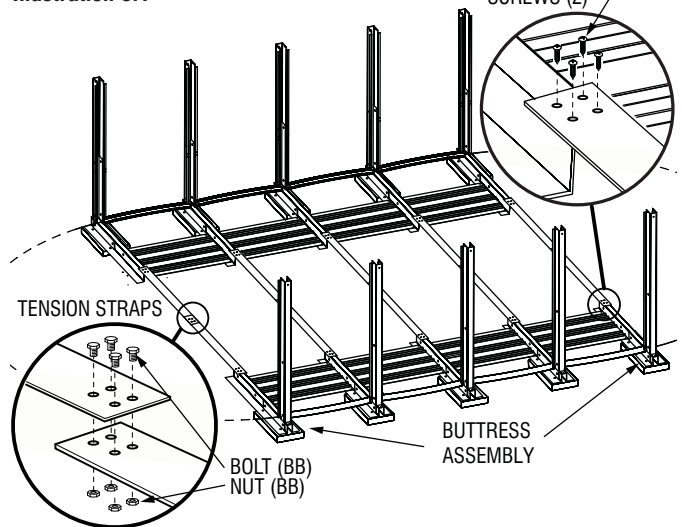


Chart 1.3

POOL SIZES	8x14	8x16	8x19	10x16	10x18	10x21	12x18	12x21	12x24	12x27	14x20	14x25	16x26	16x32	18x33	18x38	18x44
TENSION STRAPS QUANTITY (TOTAL)	3	4	5	3	4	5	6	8	10	12	6	10	15	21	21	27	33
TENSION STRAPS LENGHT (Each - W x L)	2" X 24-7/8"			2" X 47-7/8"			2" X 37-3/16"				2" X 50-1/8"		2" X 42-1/32"		2" X 49-5/8"		
ROWS TO ASSEMBLE	3	4	5	3	4	5	3	4	5	6	3	5	5	7	7	9	11
STRAPS PER ROW	1	1	1	1	1	1	2	2	2	2	2	2	3	3	3	3	3

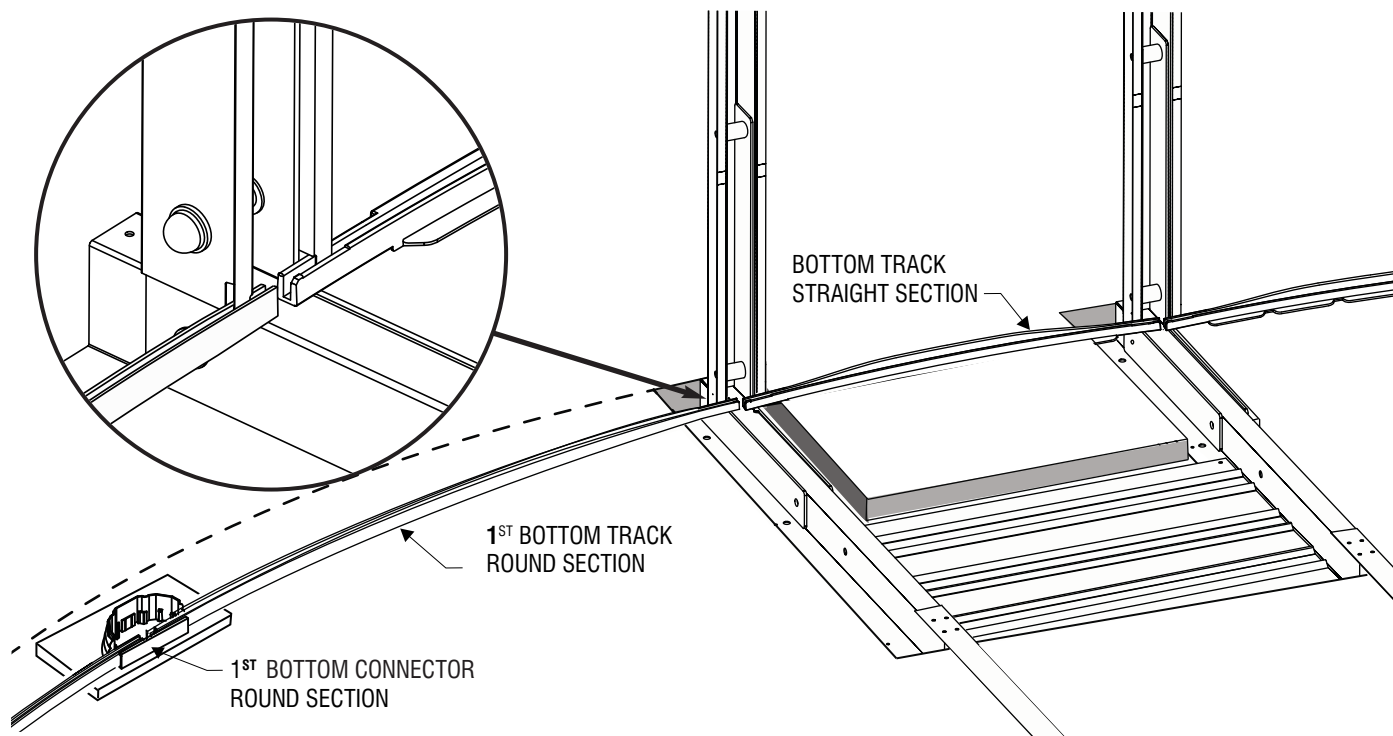
7

ROUND SECTION BOTTOM TRACK INSTALLATION

Refer to illustration 7.1. Starting with round section : Place the end of the first round section bottom track on the foot beam so it is inserted into the outside notch of the last buttress post of each straight section. Place the first bottom connector of the round section, at the other end of the bottom track.

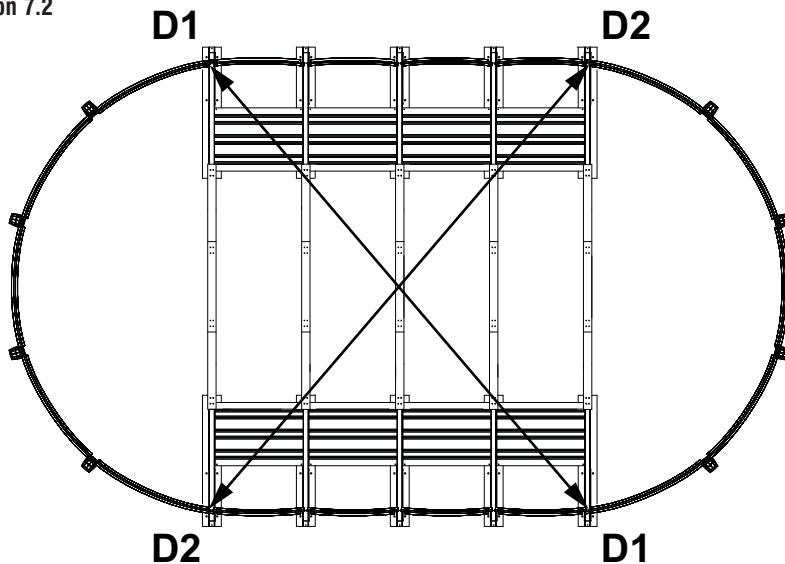
Repeat this procedure until the both half circles are completed.

Illustration 7.1



Important : Before going to the next step, make sure that the centre of the pool is properly squared and the tension straps are straight with no buckles. Refer to illustration 7.2.

Illustration 7.2



The two measurements, D1 and D2, should be exactly the same. If they are not, adjust one entire straight side as necessary.

This is a very important step, do not continue until measurements are identical.

8 WALL INSTALLATION WITH STAINLESS STEEL PANEL (if applicable)

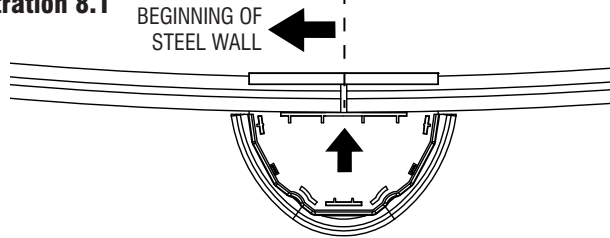
If you do not have a stainless steel panel, skip to section 9.

Wear gloves when installing the steel wall and stainless steel panel.

When installing the steel wall with stainless steel panel, it is important to do so in a location protected from the wind or on a day without any wind. Before uncoiling the wall, add sand for the pool bottom and cove. Choose the filter location beside a round section (never in a straight section). The starting point should be at that location of the skimmer and water return holes and be sure it is at least a minimum of 4' (1.2 m) away from the pool. Make sure the pre-punched holes for the skimmer and water return are at the top and facing the planned location of your filter.

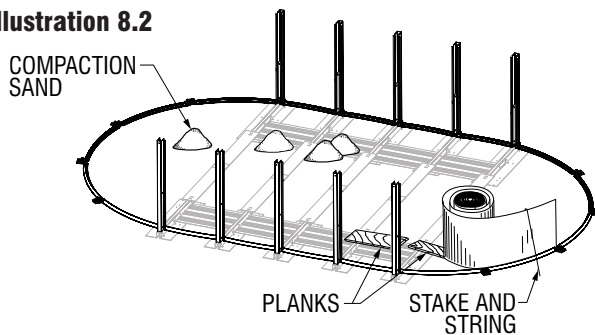
Begin inserting the wall into the bottom tracks in the middle of a bottom connector. (See Illustration 8.1).

Illustration 8.1



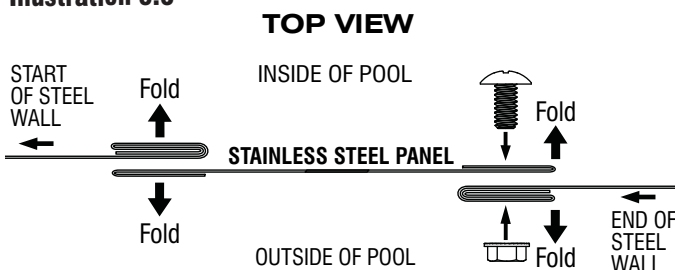
At first, the wall is kept in place with one or two stakes and strings (or extra people). One person uncoils the wall on two beams or planks, while a second person inserts it in the bottom tracks. Do not uncoil more than 10' (3 m) of wall before you install a support bar or stake and string to hold the wall in place. (See Illustration 8.2). Also in the straight section, temporarily secure the wall with transparent tape to the buttress posts.

Illustration 8.2



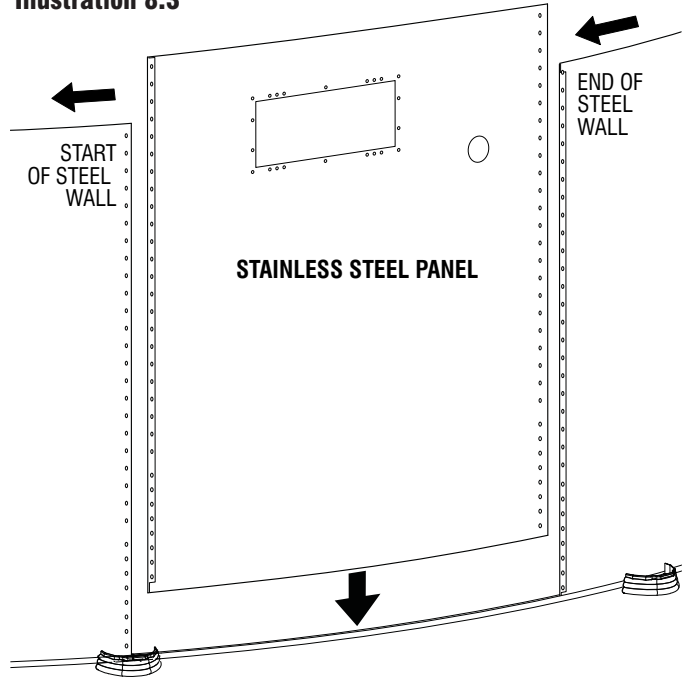
Once the painted steel wall section is completely

Illustration 8.3



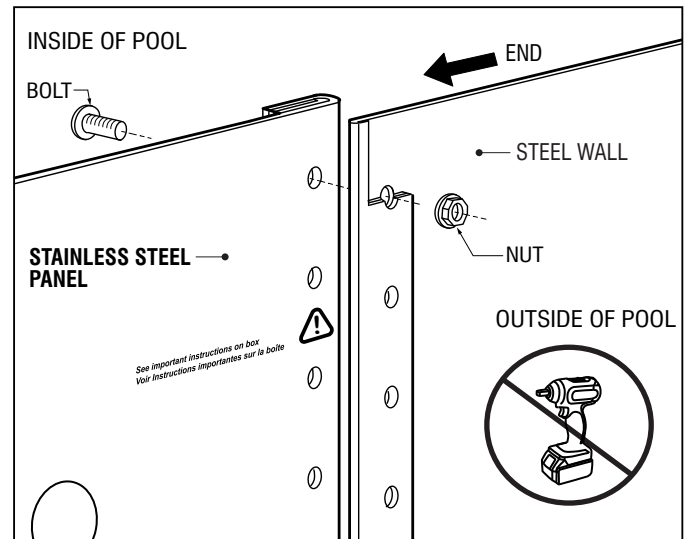
uncoiled in the tracks, insert the stainless steel panel in the track making sure that the folds are correctly positioned. (See Illustration 8.3).

Illustration 8.3



Attach the joint of the stainless steel panel to the painted steel wall END (near the water return hole) with the supplied wall bolts. Join the steel wall and panel by orienting folds outward to hide the exclamation icon. (See Illustration 8.4).

Illustration 8.4



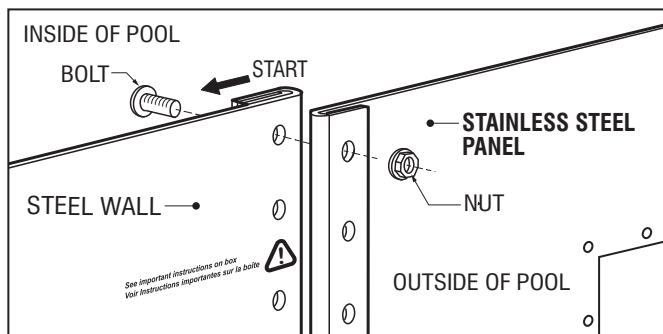
IMPORTANT! A non-compliant installation according to manufacturers' instruction will void the warranty. A faulty installation will cause the wall joint to split open which could result in serious and/or fatal injuries!

8 WALL INSTALLATION WITH STAINLESS STEEL PANEL (if applicable)

Once the wall is completely uncoiled, you may find that it is too long or that both ends do not meet perfectly. If such is the case, adjust the tracks in the bottom connector until wall holes line up. If this does not work, roll up the wall again, check measurements as per chart 1.4 (next page), adjust tracks in the bottom connectors and if applicable, uncoil the wall again. If the spread is too wide, measure the wall and check it against the chart 1.3 of actual wall length.

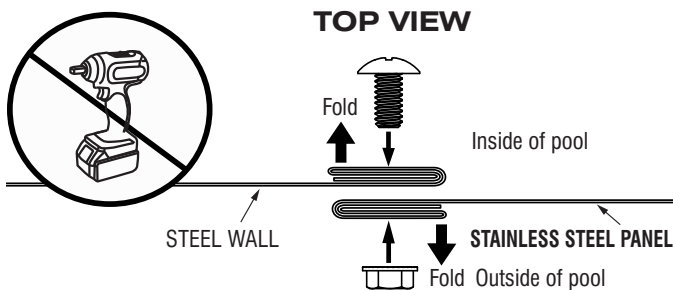
Attach the end of the stainless steel panel to the painted steel wall START by orienting folds outward to hide the exclamation icon. (See Illustration 8.5).

Illustration 8.5



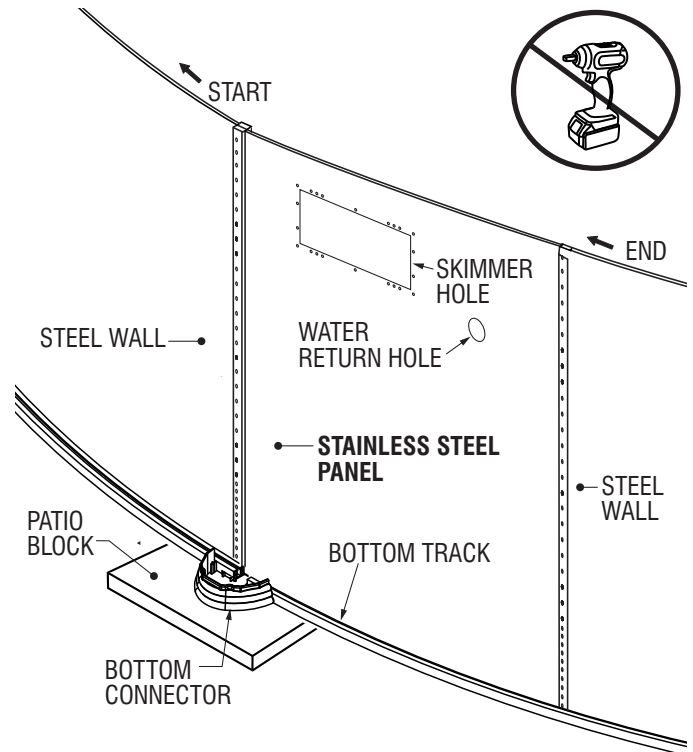
IMPORTANT! A non-compliant installation according to manufacturers' instruction will void the warranty. A faulty installation will cause the wall joint to split open which could result in serious and/or fatal injuries!

Note : If the wall joint is positioned properly, you should no longer see the exclamation icon. If you can see the icon, you must reverse the overlap.



WARNING : Never use an impact gun for wall and tension straps screws. Minimum torque force of 60 inch pounds to maximum of 85 inch pounds.

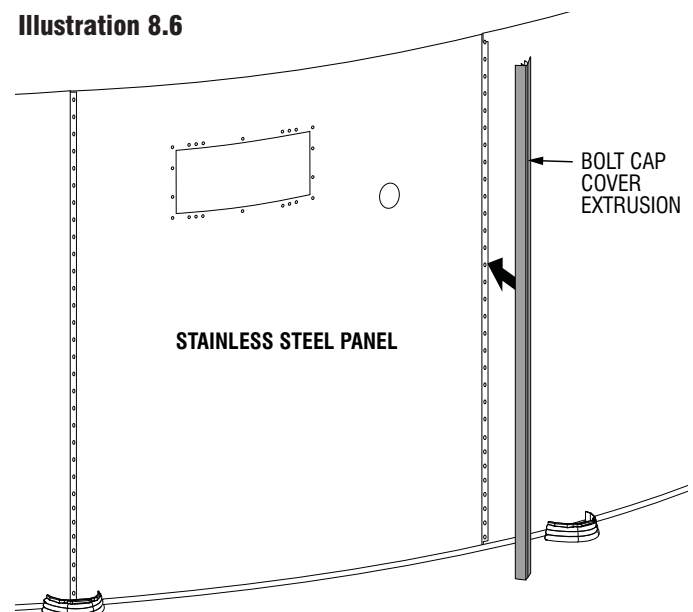
Insert bolts and nuts (BB) in every hole and tighten with wrench (screw head on water side of wall). Tape over screw heads with 3 layers of duct tape. **You must use the wall bolts and nuts supplied in the wall box.**



Important! If you are missing any wall hardware, refrain from leaving empty holes in the wall joint assembly to prevent potential damage to your swimming pool. **The wall joint assembly will not hold and the pool will collapse.** Contact your pool dealer immediately, for any additional hardware required in the event of a shortage.

Insert the bolt cap cover extrusion on the bolts of the stainless steel panel joint that is not behind an upright. (See Illustration 8.6).

Illustration 8.6

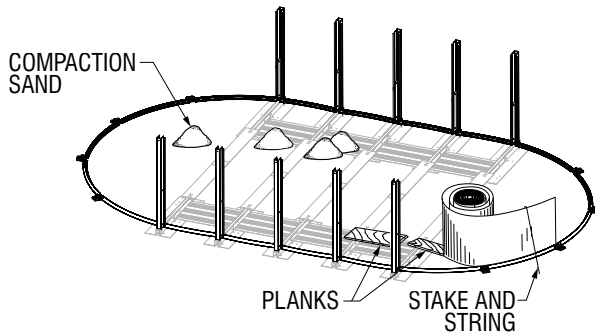


9

WALL INSTALLATION

When installing the steel wall, it is important to do so in a location protected from the wind or on a day without any wind.

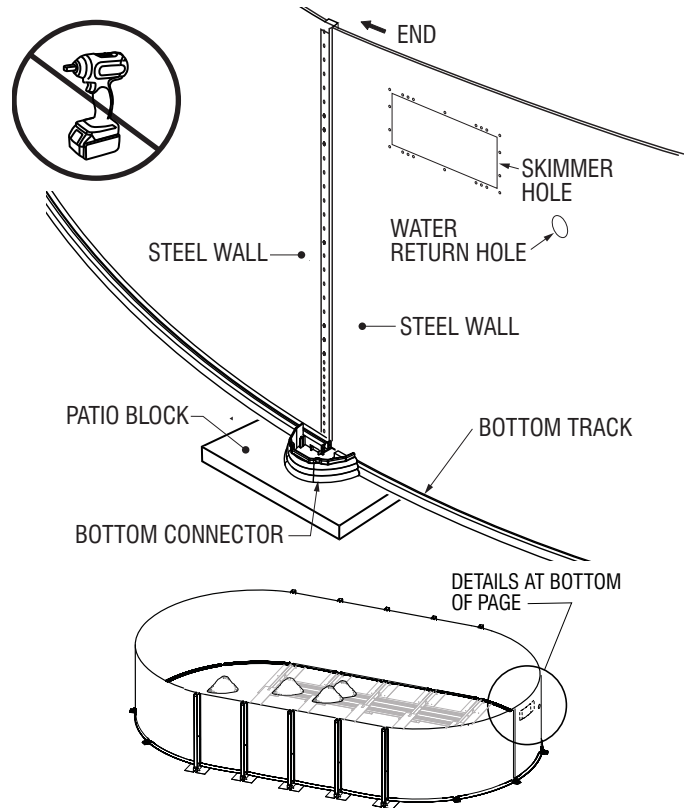
Before uncoiling the wall, add sand for the pool bottom and cove. Choose the filter location beside a round section (never in a straight section). The starting point should be at that location of the skimmer and water return holes and be sure it is at least a minimum of 4' (1.2 m) away from the pool. Make sure the pre-punched holes for the skimmer and water return are at the top and facing the planned location of your filter.



Begin inserting the wall into the bottom tracks in the middle of a bottom connector. At first, the wall is kept in place with one or two stakes and strings (or extra people). One person uncoils the wall on two beams or planks, while a second person inserts it in the bottom tracks. Do not uncoil more than 10' (3 m) of wall before you install a support bar or stake and string to hold the wall in place. Also in the straight section, temporarily secure the wall with transparent tape to the buttress posts.

Once the wall is completely uncoiled, you may find that it is too long or that both ends do not meet perfectly. If such is the case, adjust the tracks and bottom connectors until wall holes line up.

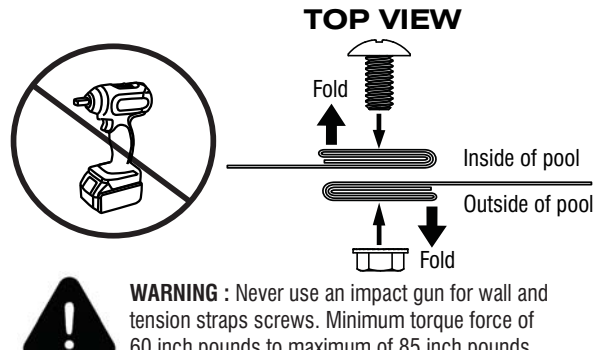
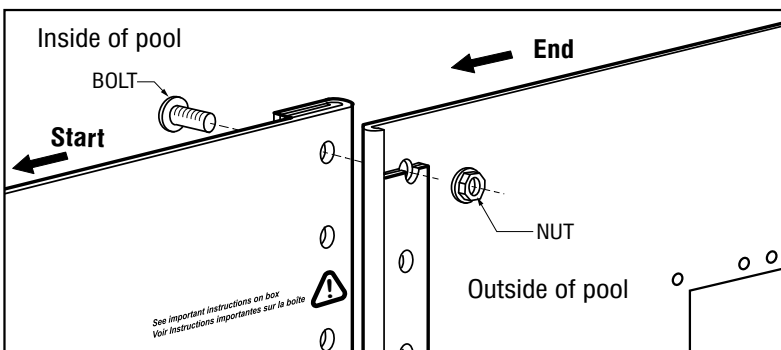
If this does not work, roll up the wall again, check measurements as per chart 1.4 (next page), adjust tracks and bottom connectors and if applicable, uncoil the wall again. If the spread is too wide, measure the wall and check it against the chart of actual wall lengths below. Join both ends of the wall by orienting folds outward to hide the exclamation icon per illustration below.



Note : If the wall joint is positioned properly, you should no longer see the exclamation icon. If you can see the icon, you must reverse the overlap.

Insert bolts and nuts (BB) in every hole and tighten with wrench (screw head on water side of wall). Tape over screw heads with 3 layers of duck tape. **You must use the wall bolts and nuts supplied in the wall box.**

Important! If you are missing any wall hardware, refrain from leaving empty holes in the wall joint assembly to prevent potential damage to your swimming pool. **The wall joint assembly will not hold and the pool will collapse.** Contact your pool dealer immediately, for any additional hardware required in the event of a shortage.



IMPORTANT! A non-compliant installation according to manufacturers' instruction will void the warranty. A faulty installation will cause the wall joint to split open which could result in serious and/or fatal injuries!

WARNING : Never use an impact gun for wall and tension straps screws. Minimum torque force of 60 inch pounds to maximum of 85 inch pounds.

9

WALL INSTALLATION (CONTINUED)

Chart 1.4

Chart of actual wall lengths

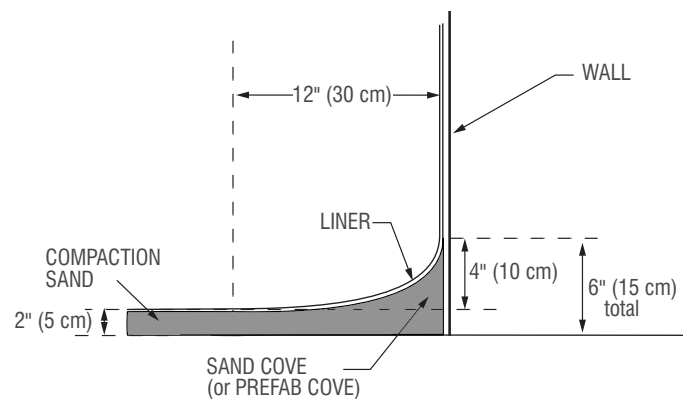
8x14	8x16	8x19	10x16	10x18	10x21	12x18	12x21	12x24	12x27
36' 5"	41' 11"	47' 5"	42' 5"	47' 11"	53' 5"	50' 7"	56' 1"	61' 7"	67' 1"
(11.10 m)	(12.78 m)	(14.45 m)	(12.92 m)	(14.60 m)	(16.25 m)	(15.42 m)	(17.09 m)	(18.77 m)	(20.45 m)
14x20	14x25	16x26	16x32	18x33	18x38	18x44			
55' 3"	66' 3"	71' 2"	82' 2"	86'	97'	54' (x 2)			
(16.84 m)	(20.19 m)	(21.69 m)	(25.06 m)	(26.21 m)	(29.56 m)	(16.46 m x 2)			

10

SAND BASE & SAND COVE

You can now spread 2" (5 cm) of compaction sand, which is already inside the pool perimeter. Also, build a 4" cove, not needed if prefab cove used 4" (10 cm) thick around the inside base of the wall. Compact the center with a tampering tool or vibrating plate and the cove by hand. The cove will protect the liner from the sharp edges of the bottom wall tracks.

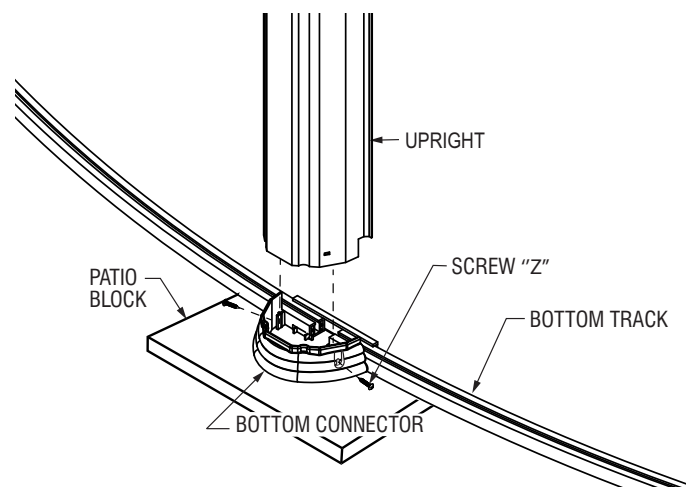
Level compaction sand one last time. Make sure that any sharp stones, debris or roots have been removed from the surface. For better protection, spray sand with water and pack it once more until the base is smooth, even and levelled.



11

UPRIGHT INSTALLATION (ROUND SECTION)

Assemble the upright to the bottom connector using the 1 screw "Z" on each side.



12

VINYL LINER INSTALLATION

See the liner manufacturer's instruction

13

TOP TRACK INSTALLATION (3 OPTIONS)

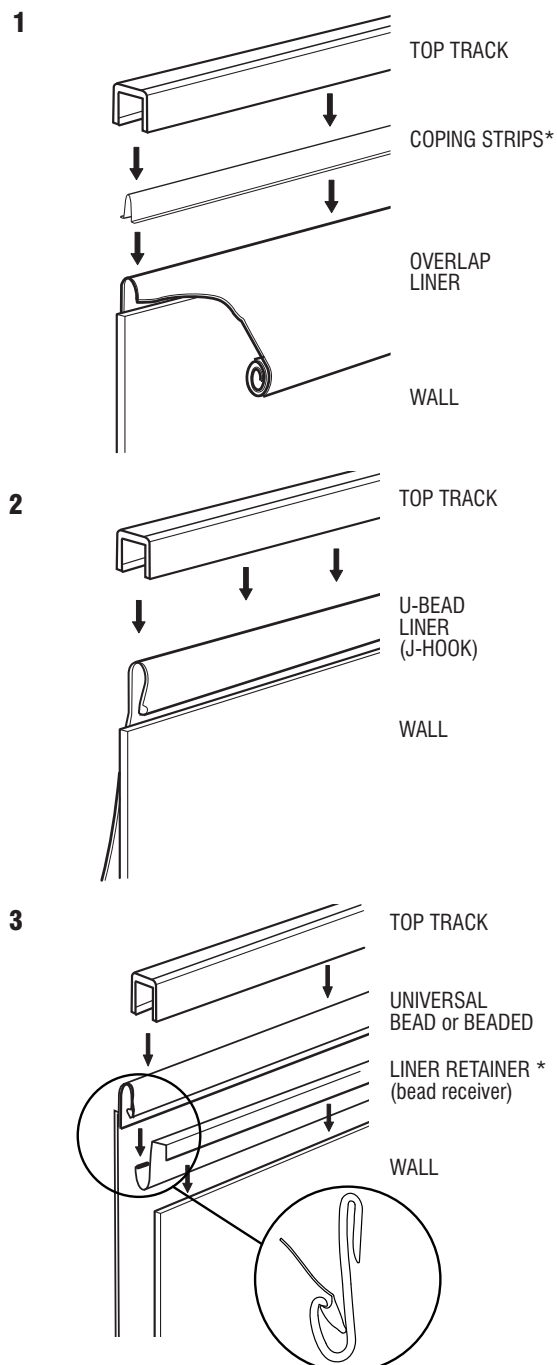
This is to complement liner manufacturer's instructions. If you have any questions, please refer to the liner manufacturer's instructions, first.

1- Overlap liner: Once the liner is draped in the pool, install the coping strips* around the perimeter of the pool. As the pool is filling, remove coping strip, never more than one at the time, to adjust the liner wall length as needed by adding or removing material. Once liner adjusted, install top tracks and top plates on each uprights.

2- U-Bead (J-Hook) (installed directly on the wall) : Hang the liner bead on the top of the wall and install the top track to secure it followed by the top plate on each upright. **Coping strips not required for use with U-Bead (J-Hook) liner installation.**

3- Liner installation with a Bead receiver track (bead receiver track not included with liner or pool kit) : Install the bead receiver track on top of the wall. Once the liner is installed and bead snapped in the Bead receiver track, install top tracks and top plates on each uprights.

* Required but not included with all kits.

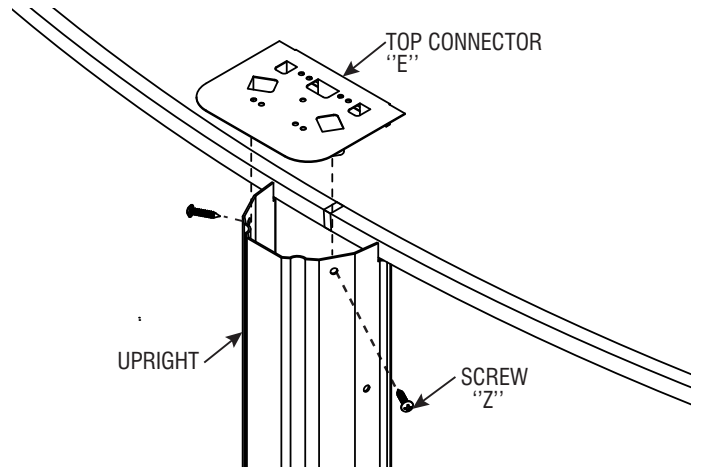


13

TOP CONNECTOR INSTALLATION

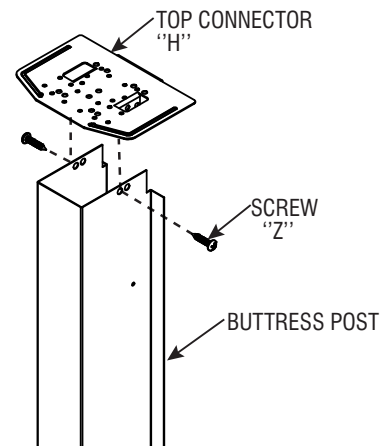
ROUND SECTIONS

Install the top connector into the upright and secure with 1 screw "Z" on each side.



STRAIGHT SECTIONS

Install the top connector into the uprights and secure with 1 screw "Z" on each side.



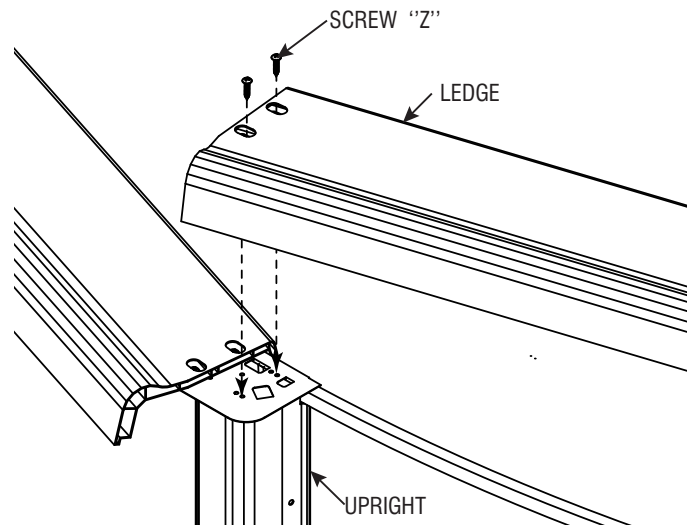
14

LEDGE INSTALLATION

Verify that each upright is completely plumb.

Evenly distribute ledges all around the pool before securing them.

Secure ledges in place with 2 screws "Z" as illustration.



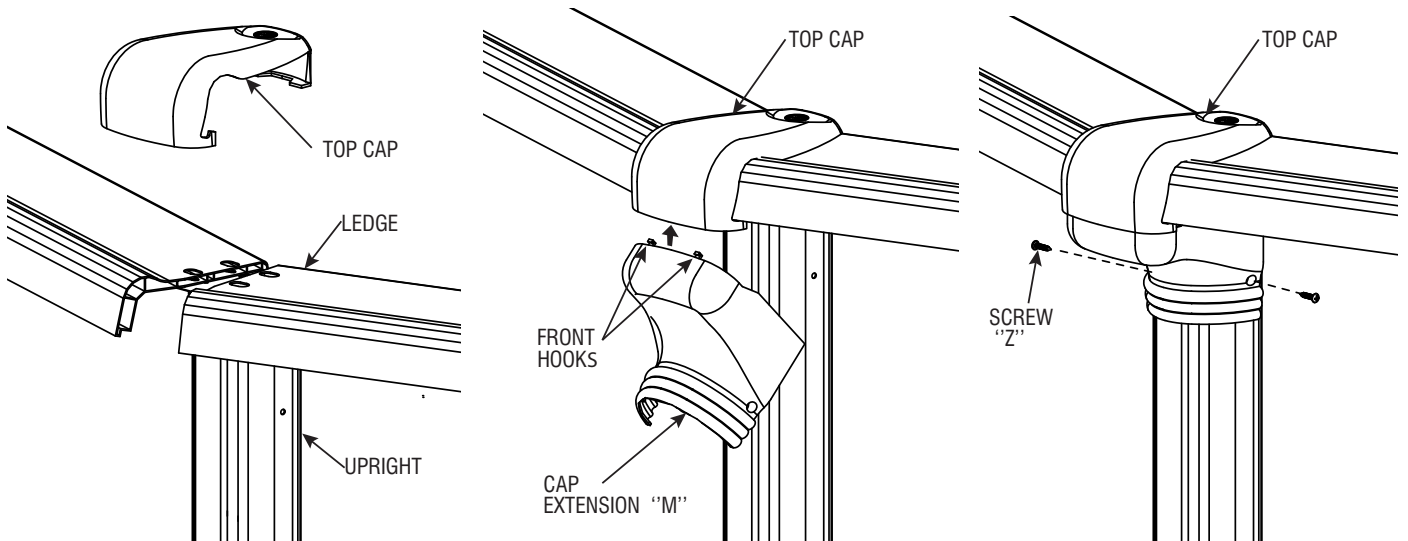
15

TOP CAP INSTALLATION

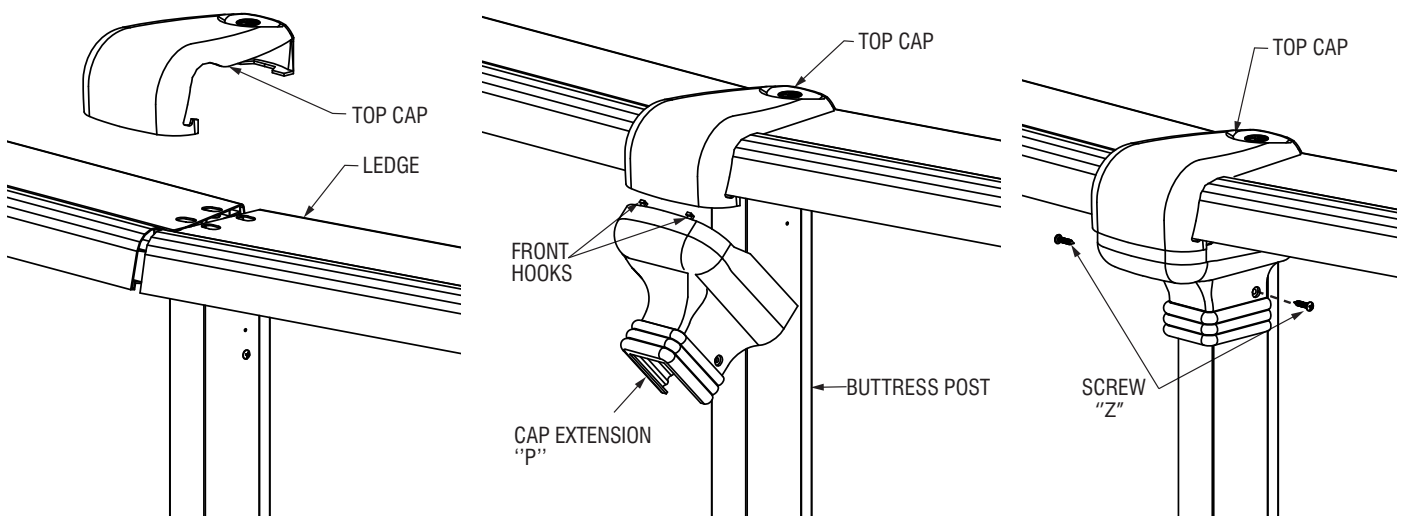
Insert the top cap on the outer part of the ledge and then snap the top cap towards the inside of the pool.

Insert front hooks of cap extension first, then secure the cap extension on the upright with 1 screw "Z" on each side.

ROUND SECTIONS



STRAIGHT SECTIONS



16

SAFETY

Before filling the pool with water, make sure to install all safety labels. Refer to the following pages.

SAFETY INFORMATION



DO NOT DIVE OR JUMP, SHALLOW WATER!

WARNING : THIS POOL IS NOT DESIGNED FOR DIVING AND/OR JUMPING.



WARNING : The pool owner is responsible to ensure everyone who accesses the yard, follows all safety instructions.



WARNING : Be sure you have read and understand the 'Safety Information' sheets before you begin your pool installation.

- Never dive, jump or slide into an above ground swimming pool. Diving, jumping or sliding may result in permanent injury or death.
- The homeowner is responsible to install all safety labels. The safety labels shall be placed above the water line, never covered and always visible from any potential entry points of the pool. Also, make sure to install safety labels at all access points of your yard.
- Adult supervision is always necessary. Never take your eyes off children or swimmers in the water or near the pool.
- Designate an adult pool watcher. Make sure that you or your pool watcher are able to intervene in less than 10 seconds to save a life or avoid injury.
- Do not swim during thunder, electrical or wind storms.
- Keep rescue equipment such as life rings and reaching poles etc, in a prominent area by the pool at all times. Please consult your municipality to get a rescue equipment list.
- An emergency phone number such as: nearest available police, fire, ambulance and/or rescue unit, must be visible from pool area. A functioning fixed or cellular phone must be reachable immediately.
- It is important that all users be able to see the bottom of the pool. Foggy water must be cleared up before entering the pool. At night, sufficient lighting must be available. It's the homeowner's sole responsibility to provide adequate lighting for pool bottom, safety labels and walkways, which exceeds minimum standards of the IES of North America.
- Never swim alone, under the influence of drugs or alcohol, tired or ill.
- All accessories and liners : the homeowner must follow the manufacturer's instructions and safety warnings.
- Do not affix any other products to your pool other than required by your local code.
- Do not sit, climb or stand on the top ledges of the pool.



WARNING : this product contains chemicals which are known to the state of California to cause cancer and/or reproductive harm. p65warnings.ca.gov

SAFETY LABELS

If you require additional labels, you can order more free of charge by calling 1-888-777-0447



SAFETY INFORMATION



WARNING : All pool components, such as the filtration system, pump and heater should not be positioned in such a way that someone could use them to gain access to the pool. Be sure that filter, pump, all toys, chairs, tables, buildings or similar objects are at least at a minimum of 4' (1,22 m) away from the pool. Positioning such objects too close to the pool may allow access to the water while unattended and may cause serious injury or death.

Congratulations! You have purchased a pool of superior quality and durability. To achieve the best possible results, follow the instructions carefully. Failure to follow the installation procedures may result in damage to your pool or property and void your warranty. We recommend that you make a preliminary study of the instruction booklet to familiarize yourself with the different parts of your pool. Make sure that you understand each step thoroughly before you begin assembling. We recommend having your pool installed by a professional. We wish you a most pleasant and refreshing summer.

The homeowner must supervise the installation of the pool in order to make sure that proper installation methods are followed.

The pool is subject to wear and deterioration if not maintained properly and could lead to failure of the pool's structure. Failure of the pool structure might release large quantities of water that will cause property damage, bodily harm or even death.

Before installing your pool, you should check local regulations such as building codes, zoning requirements and electrical codes.

Refrain from finishing up your pool with stones, rocks, gravel, etc., to avoid chipping of the paint and damaging the pool wall. Most decorative rocks are very acidic and they can damage and/or corrode your pool wall beyond repair.

We are not responsible for the installation of the pool. We are not affiliated with any pool installer and assume no responsibility or liability linked to a faulty installation of the pool.

Warning : Do not modify any components of the pool without the written authorization of the manufacturer. Doing so will void the warranty.

If you need any parts, you can order these by calling 1-888-777-0447 or at www.aquasupport.ca/en/support

