

# STAINLESS STEEL PANEL

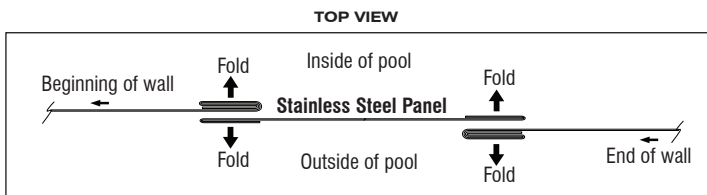
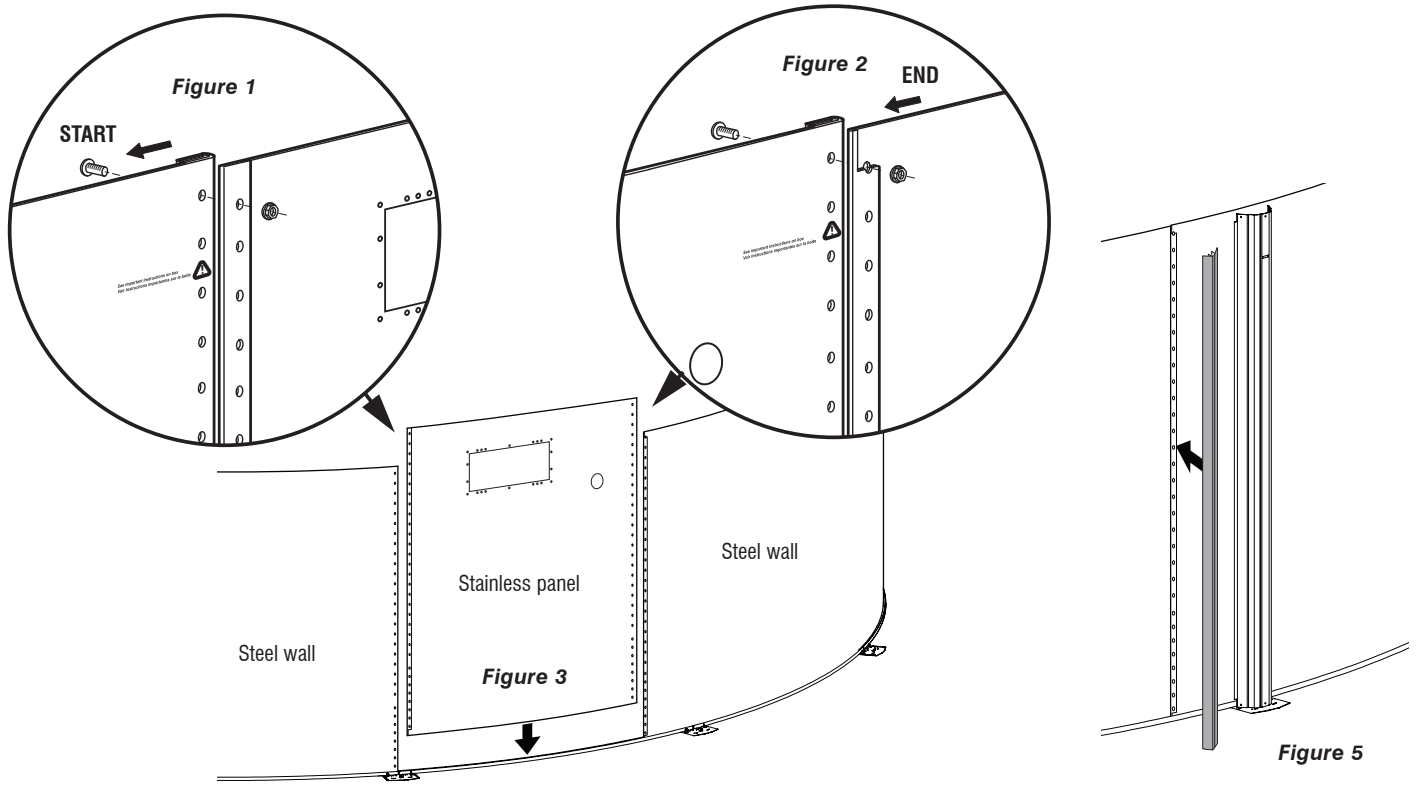
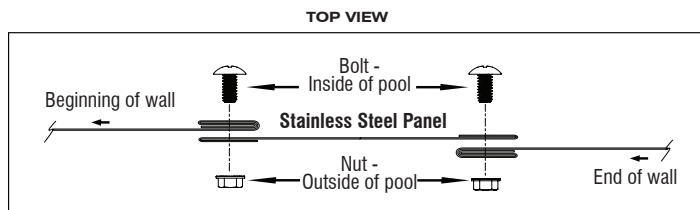


Figure 4



**WARNING:** Never use an impact gun for wall and tension straps screws. Minimum torque force of 60 inch pounds to maximum of 85 inch pounds.



**IMPORTANT!** A non-compliant installation according to manufacturers' instruction will void the warranty. A faulty installation will cause the wall joint to split open which could result in serious and/or fatal injuries!

## Wear gloves when installing the steel wall and stainless steel panel.

- 1 Install the painted steel wall following the instructions in the WALL INSTALLATION section of the Assembly Instructions Guide.
- 2 Once the painted steel wall section is completely installed in the tracks, insert the stainless steel panel in the track making sure that the folds are correctly positioned (Figure 4).
- 3 Attach the joint of the stainless panel to the painted steel wall **END** (near the water return hole) with the supplied wall bolts (Figure 2).
- 4 Complete the wall installation by following the instructions in the WALL INSTALLATION section of the Assembly Instructions Guide (Figure 1).
- 5 Insert the bolt cap cover on the bolts of the stainless panel joint that is not behind the upright (Figure 5).