

## Instruction Manual

# iSOLAR



**#70607**

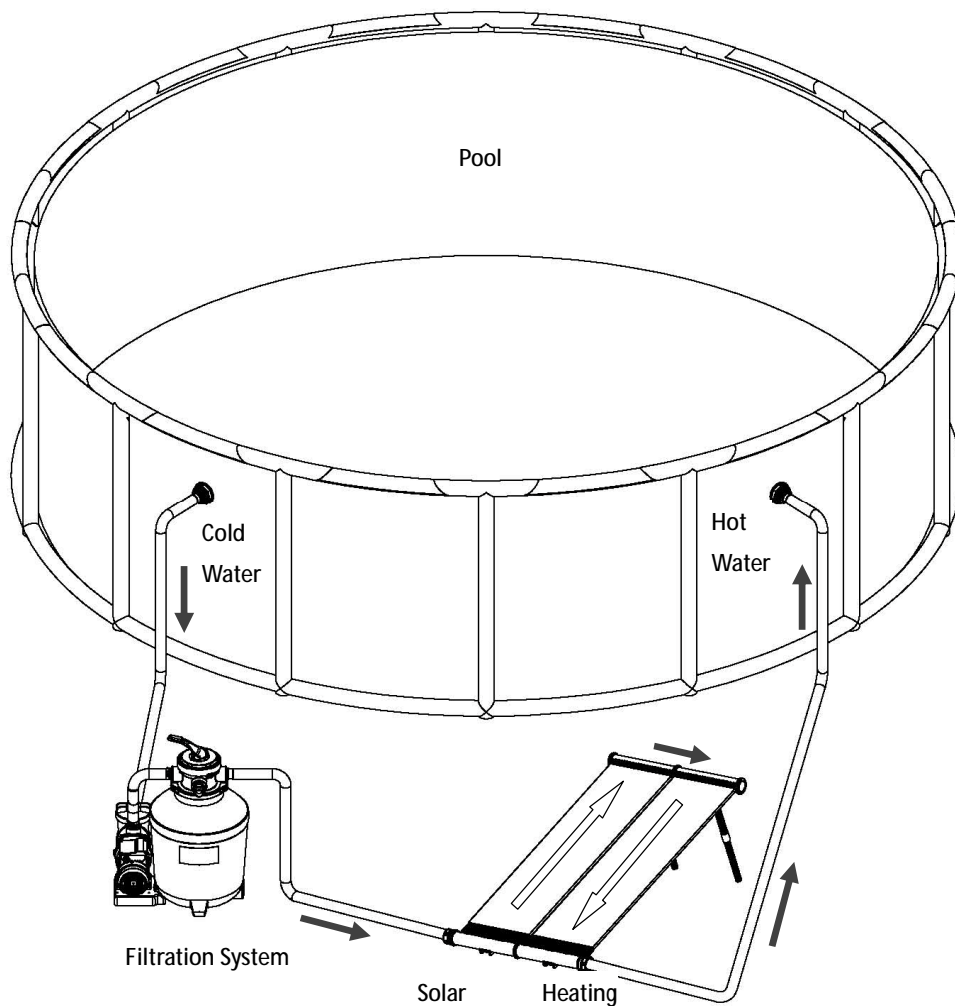
Read the instruction manual carefully before assembly and use.  
Please also save it for future reference.

## Contents

1.Product Introduction.....	2
2.Warning and Cautions.....	3
3.Assembly and Operation Instruction.....	4
4.Trouble Shooting.....	7
5. Specifications.....	7
6.Product Explosion Diagram and List of Accessories.....	8

## 1、 Product Introduction

The solar heating panel is a pool solar heating device to be connected to the pool filtration system. The solar heating panel heats the pool water by absorbing sunlight. Please refer to the below image for the water flow direction while in use. The water flows out of the swimming pool, enters the filtration system, and flows into the solar heating plate to flow inside the product. The solar heating panel absorbs the heat of the sun, thereby heating the internal water flow, and then the water flows out of the solar heating panel and returns to the pool to heat the pool water temperature.



## 2、 Warning and Cautions

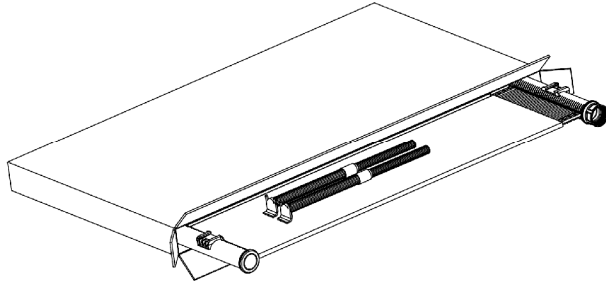
1. Read this manual carefully and use it in strict accordance with the operating procedures of this manual. Otherwise, it may cause personal injury!
2. Children are not allowed to operate solar heating panel.
3. Solar heating panels are required to be installed on the ground and are not allowed to be installed on roofs or vertical structures.
4. It is strictly forbidden to step on the solar heating panel.

### Note

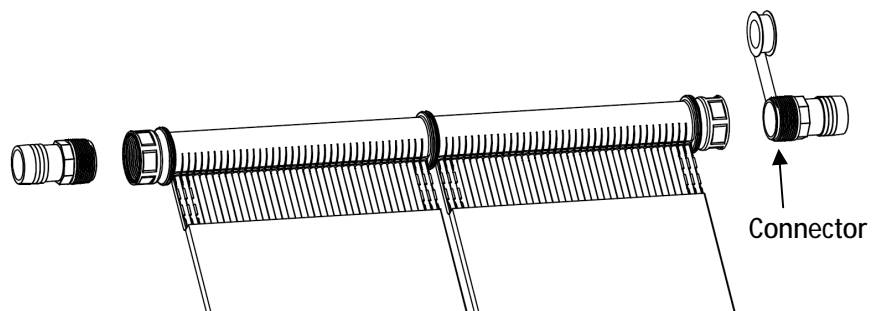
1. The solar heating panel should be installed on a hard, level ground.
2. It is recommended that the installation site receive at least 6 hours of direct sunlight per day.
3. Adjust the aluminum feet to tilt the surface of the product toward the sun.
4. Always turn off the filtration system when installing, operating, or servicing the solar heating panel.
5. Install the solar heating panel far enough away from the swimming pool to prevent children from swimming with it.
6. When loosening the filter, pump or other connections, make sure the filter hose is closed or blocked.
7. All connecting hoses should be kept open to ensure that the hose does not become severely kinked or bent.
8. Make sure all hoses are tightly connected. If the hose leaks, check to make sure all parts with O-rings are connected and tightened.
9. Remarks: You can cover the pool cover at night to help maintain the water temperature in the pool.

### 3、 Assembly and Operation Instruction

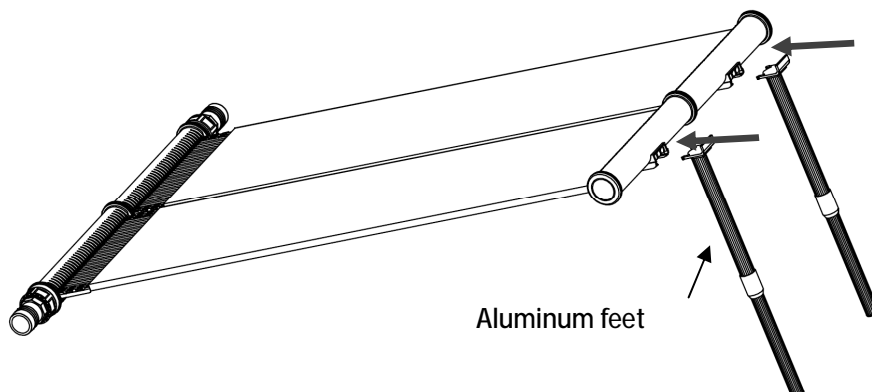
1. Remove the solar heating panel and its accessories from the box.



2. Wrap the joint with the teflon tape and screw it into the water inlet and outlet.

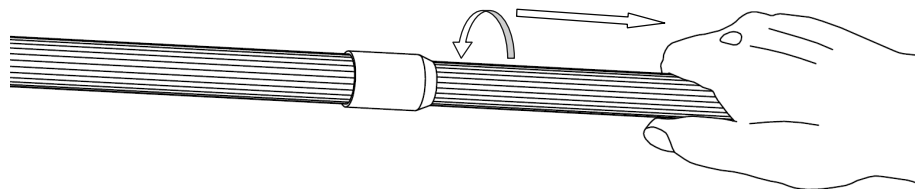


3. Install aluminum feet. Install the aluminum legs in the card slot on the main body (see the figure below), push it to the end by hand, and hear the “click” sound to indicate that it is installed in place.

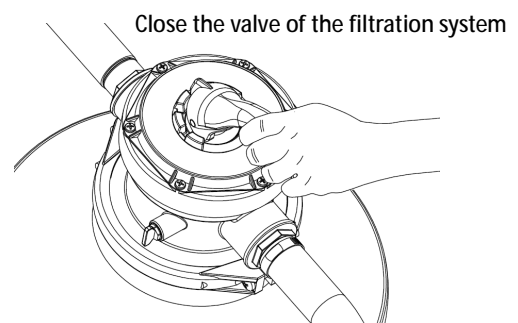
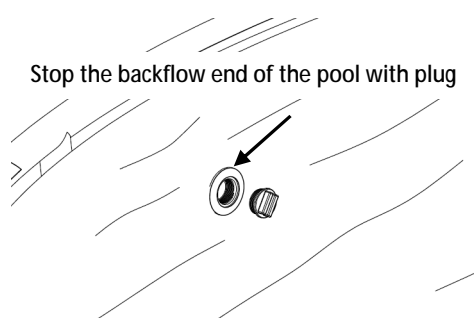


4. Place the solar heating plate in the proper position and adjust the length of the aluminum leg.

Note: Hold the end of the small aluminum tube with your hand, turn it counterclockwise, then pull the aluminum tube out to the appropriate length, turn clockwise, and lock the aluminum tube.

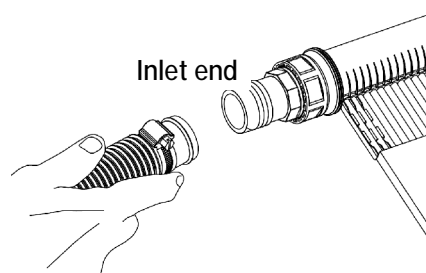
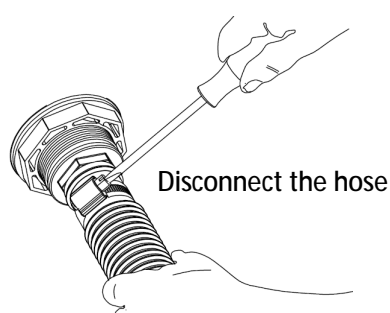


5. Turn off the power to the swimming pool filtration system, plug the back end of the pool with a screw plug, and close the system valve to ensure that no water flows out when disconnecting the hose from the back end of the pool.

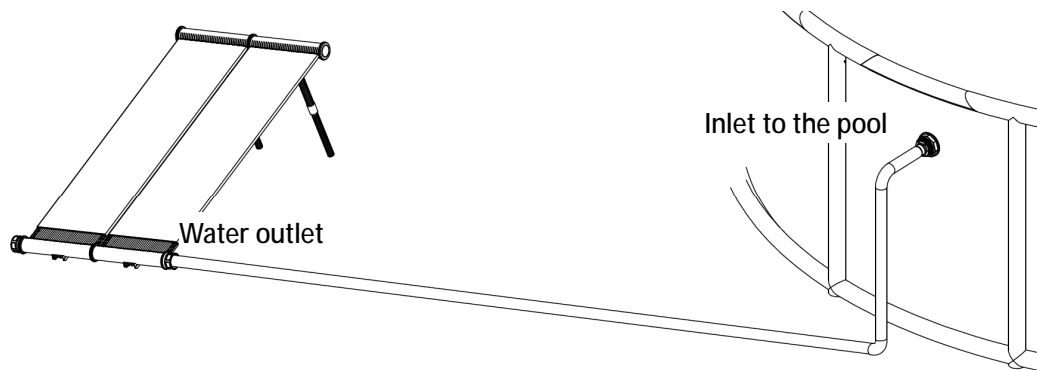


6. Remove the original hose from the backflow of the swimming pool, connect it to the water inlet end of the solar heating panel, put on the stainless steel grommet and tighten it.

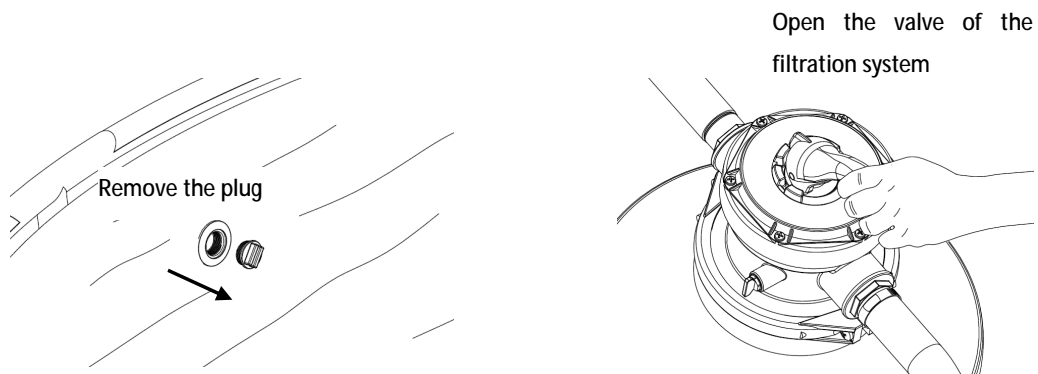
Note: the water inlet and outlet ends of the solar heating panel are interchangeable. The users can make their own choices according to the site reality.



7. Connect one end of the matching hose to the water outlet of the solar heating plate and connect the other end to the return end of the pool, respectively, and put on the stainless steel gram ring and tighten.



8. Remove the plug from the backflow of the pool, turn on the valve for the filtration system, and make sure water flow is freely in all the piping.



9. Plug in the power supply, start the filtration system, and the water begins to circulate, the solar heating panel will start to work and warm the pool water accordingly.

#### Concatenation:

Multiple solar heating panels can be installed in series for larger pools and/or faster heating.

#### Winter:

In the winter, empty the water in the solar heating panel, and store the products in a warm and dry place for future use.

## 4、 Trouble Shooting

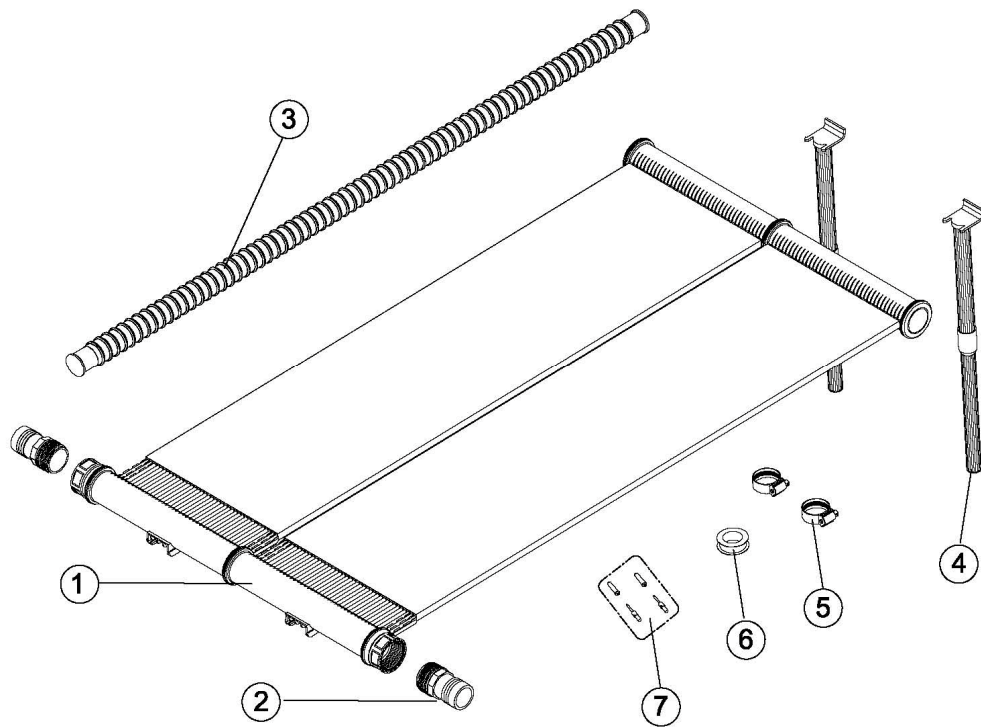
Symptom	Possible Reasons and Corrective action
Seems the solar heating panel is not heating the pool water	<ul style="list-style-type: none"> <li>I Check the water flow of the pool backflow; make sure water go through the solar heating panel.</li> <li>I Check the weather, if it is a cloudy or rainy day.</li> <li>I Use a pool cover in night time will help maintain the water temperature and reduce heat loss.</li> </ul>
Water from the solar heating panel do not back to the pool	<ul style="list-style-type: none"> <li>I Check whether all connectors are properly connected.</li> <li>I Check whether the filtration valve is closed</li> </ul>
Bubble continue to appear in the pool during the water intake	<ul style="list-style-type: none"> <li>I Check whether there is leakage for all of the connections</li> <li>I Check water flow; make sure all the unions are properly connected.</li> <li>I Check whether there is leakage or block for the flexible hoses</li> </ul>
There is water leakage for the connection of the solar heating panel	Check all the unions to see whether they are properly connected. Make sure all the stainless steel clamps for the flexible hoses are tighten enough.

## 5、 Specifications:

No.	Item	Specification
1	Capacity for each panel	around 3L
2	Max. working pressure	3BAR
3	Connection hose size	1-1/2" hose
4	Adjustable range for the aluminum supporting feet	15° ~ 22°to the ground
5	Carton size	1210*80*690MM
6	Gross weight	6KG



## 6、 Product Explosion Diagram and List of Accessories



No.	Part No.	Description	Qty
1	647060771001	Solar heating panel main body	1
2	48112301	Connector	2
3	49220903	1-1/2 flexible hose	1
4	647060771002	Aluminum feet	2
5	5021004000	1-1/2 stainless steel clamp	2
6	5757001001	Telfon Tape	1
7	647060771003	Leak repair kit	1